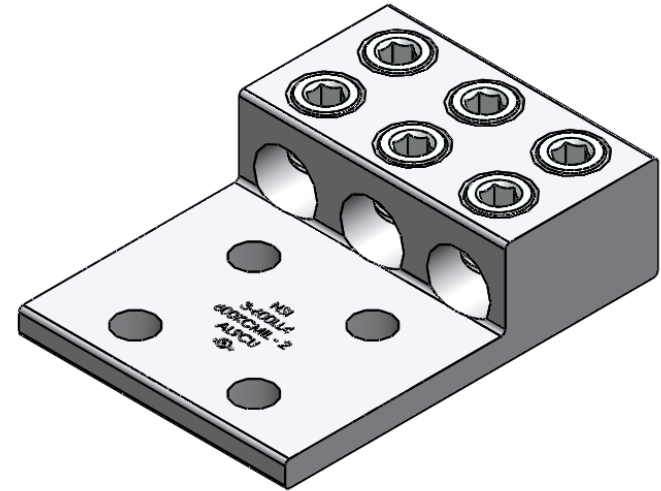
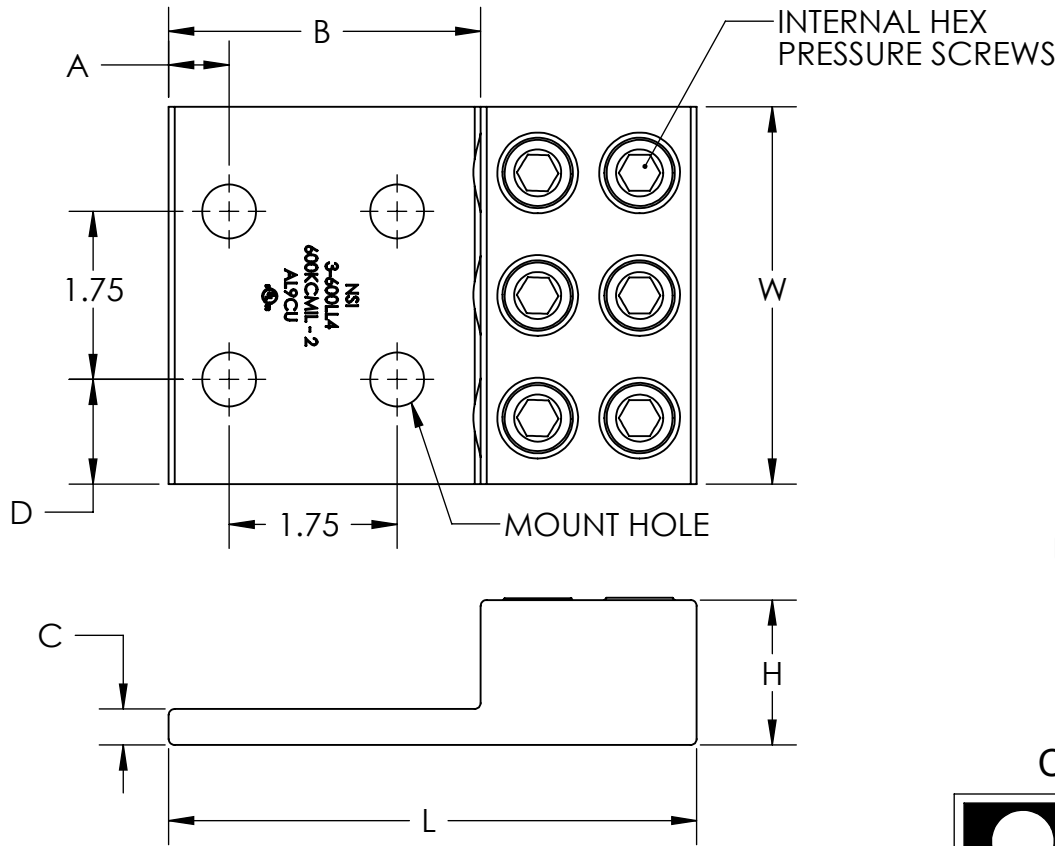




PART	WIRE RANGE	HEX SIZE	L	H	W	A	B	C	D	MOUNT HOLE
3-600LL4	600KCMIL - 2 AWG	3/8	5.50	1.51	3.93	.63	3.25	.38	1.09	9/16
3-800LL4	800 - 300KCMIL	1/2	5.75	1.69	4.06	.63	3.38	.44	1.16	9/16
3-1000LL4	1000 - 500KCMIL	9/16	6.19	1.88	4.69	.63	3.44	.44	1.47	9/16



CONTACT NSi FOR SALES @ 800.321.5847

- NOTES:  
 1. TIN PLATED 6061-T6511 ALUMINUM ALLOY.  
 2. UL LISTED 90° C FOR COPPER AND ALUMINIUM CONDUCTOR.

		<b>POLARIS</b> SALES CO. INC	
PROPRIETARY AND CONFIDENTIAL		11625 PROSPEROUS DRIVE ODESSA, FL 33556	
THE INFORMATION CONTAINED IN THIS DRAWING IS THE SOLE PROPERTY OF POLARIS SALES CO. INC. ANY REPRODUCTION IN PART OR AS A WHOLE WITHOUT THE WRITTEN PERMISSION OF POLARIS SALES CO. INC. IS PROHIBITED.		<b>TITLE:</b> NSi 3 PORT HEAVY DUTY LUGS NEMA MOUNT SERIES	
<b>NAME</b> S.PARRY		<b>DATE</b> 9/20/2012	
<b>DWG. NO.</b> 3-LL4-SERIES			
<b>MATERIAL:</b> 6061-T6511 ALUMINUM		<b>SCALE:</b> 1:1	<b>SHEET:</b> 1 OF 1