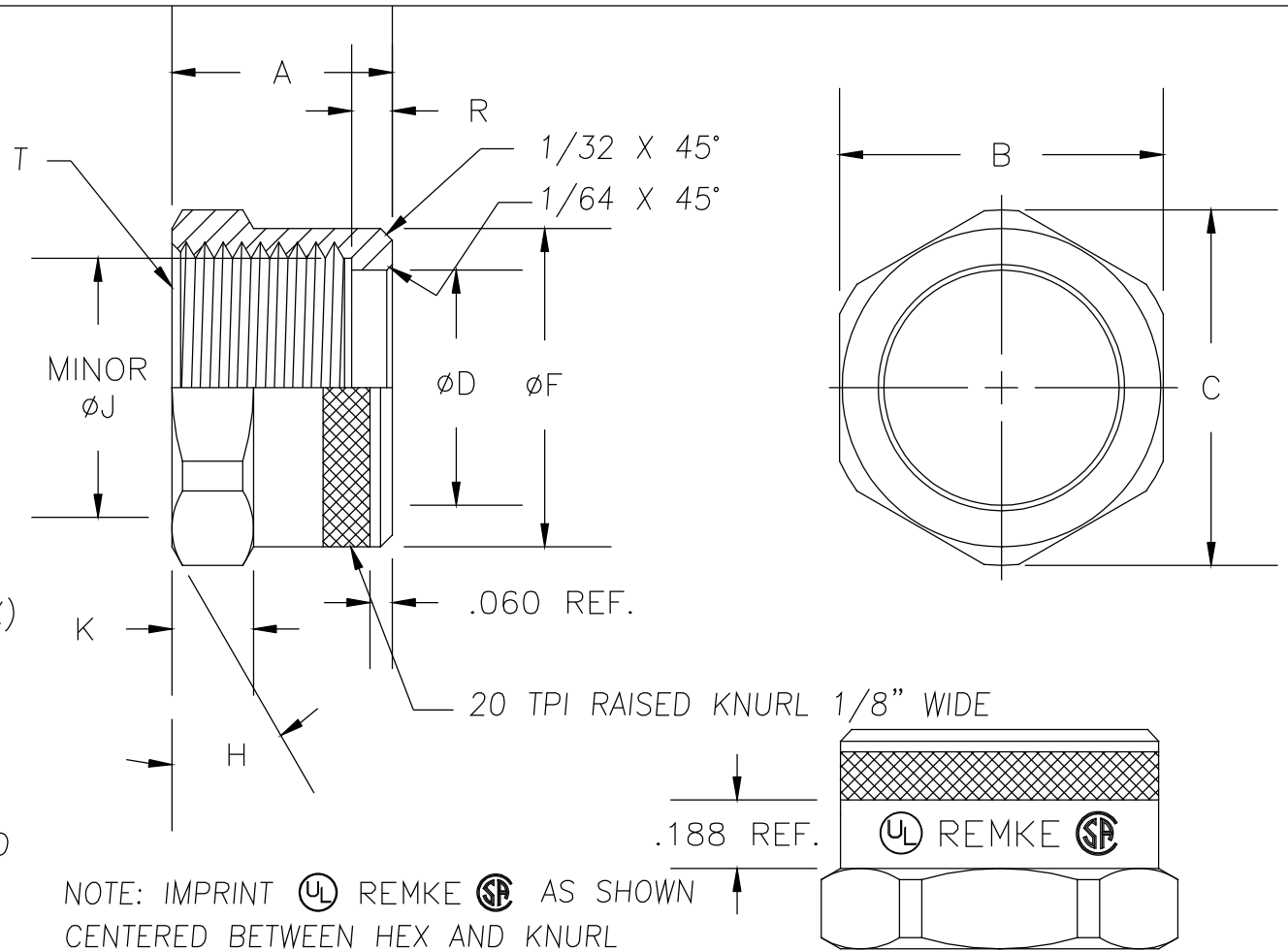


DIMENSIONS

- A .595"
- B 7/8" HEX
- C  $\phi$ .960"
- \* D  $\phi$ .635"  $+0.005/-0.003$ "
- F  $\phi$ .860" BEFORE KNURL
- \* G 30 DEG.
- H 30° CHAMF. TO DIA. .860"  
(TYP. BOTH SIDES OF HEX)
- \* J  $\phi$ .700" X .485" DP.
- K .220"
- \* R .110"
- \* T 3/4"-20 UNEF 2B THREAD



NOTE: IMPRINT REMKE AS SHOWN  
 CENTERED BETWEEN HEX AND KNURL  
 CHARACTER HEIGHT TO BE 7/64" (SAME PRINTING TOOL FOR RSR-100-N)

NOTES:

- 1.) MAKE FROM PART RSR-000-N
- 2.) PART TO BE FREE OF BURRS AND SHARP CORNERS  
PARTICULARLY @ BORE "D"
- 3.) \* INDICATES CRITICAL INSPECTION DIMENSIONS

REV.	DATE	CHANGE	
A	11/7/00	DRAWING RELEASED	UNLESS OTHERWISE SPECIFIED 3-PLC. DIM. $\pm$ .005 2-PLC. DIM. $\pm$ .010 1-PLC. DIM. $\pm$ .015 FRACTIONAL $\pm$ 1/64 ANGULAR $\pm$ 1°
B	2/14/01	DIM. "D" .635" $+0.005/-0.003$ " WAS .635"	
C	4/26/11	REDRAWN 2:1 SCALE AND ADDED IMPRINTING OF UL, REMKE AND CSA [C.V.]	

**REMKE INDUSTRIES**  
 Wheeling, Illinois 60090

SCALE: 2:1  
 MATERIAL: ALUMINUM 6462T6511  
 FINISH: MACHINED  
 PART NAME: NUT IMPRINTED  
 PART NUMBER: RSR-000-ND  
 DRAWING DATE: 11/7/00