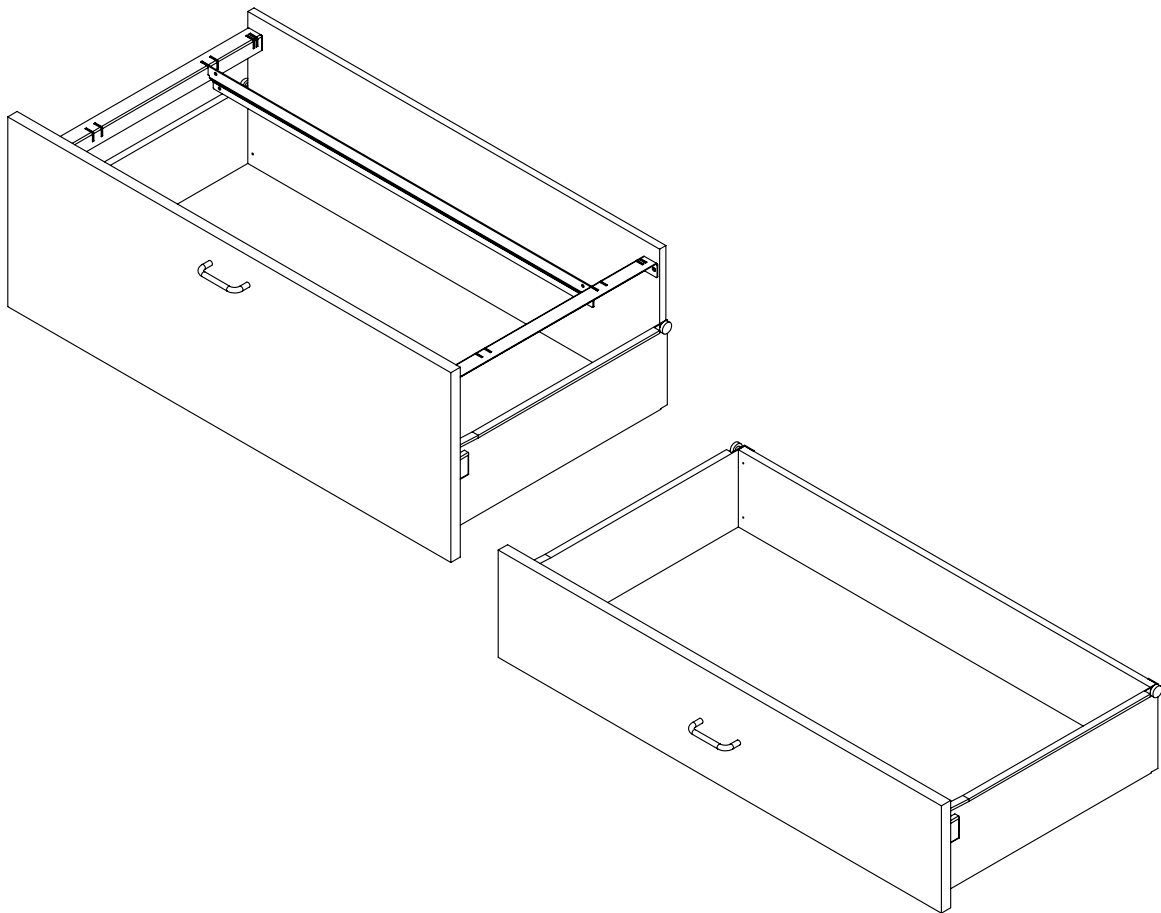




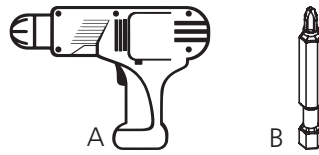
Tevita Casegoods Lower Door Kit Assembly Instructions



Warranty: raproducts.com/resources/warranty

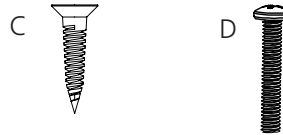
Tools Required for Assembly

- A. Power Driver with Adjustable Torque
- B. #2 Phillips Head Driver Bit (or Phillips screwdriver)



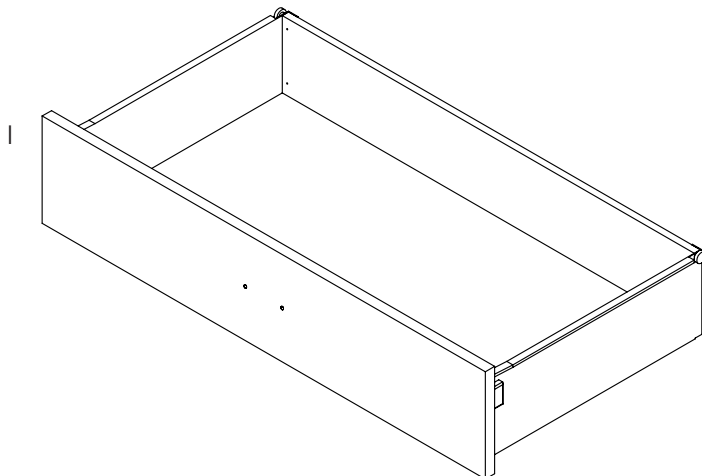
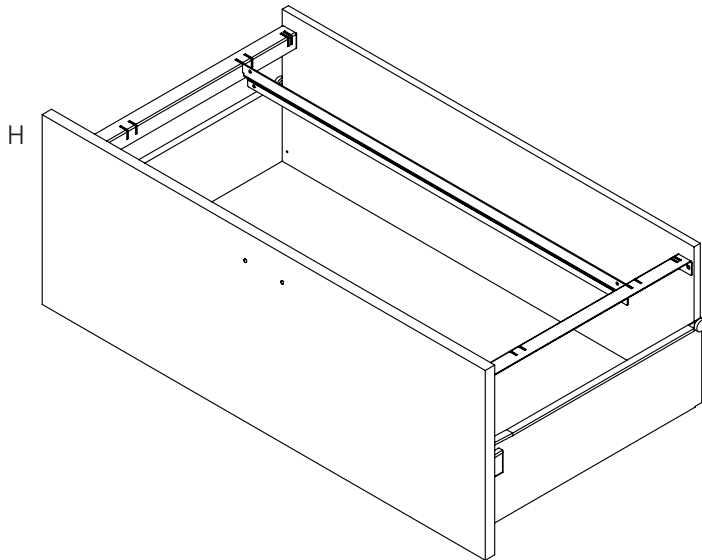
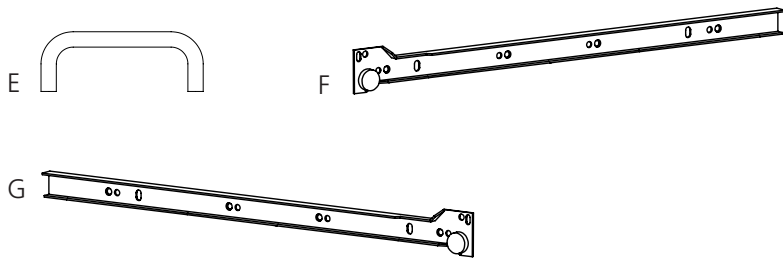
Hardware and Tools Included for Assembly *(may have extra)*

- C. Pozi Screw *x16*
- D. Handle Screw *x4*



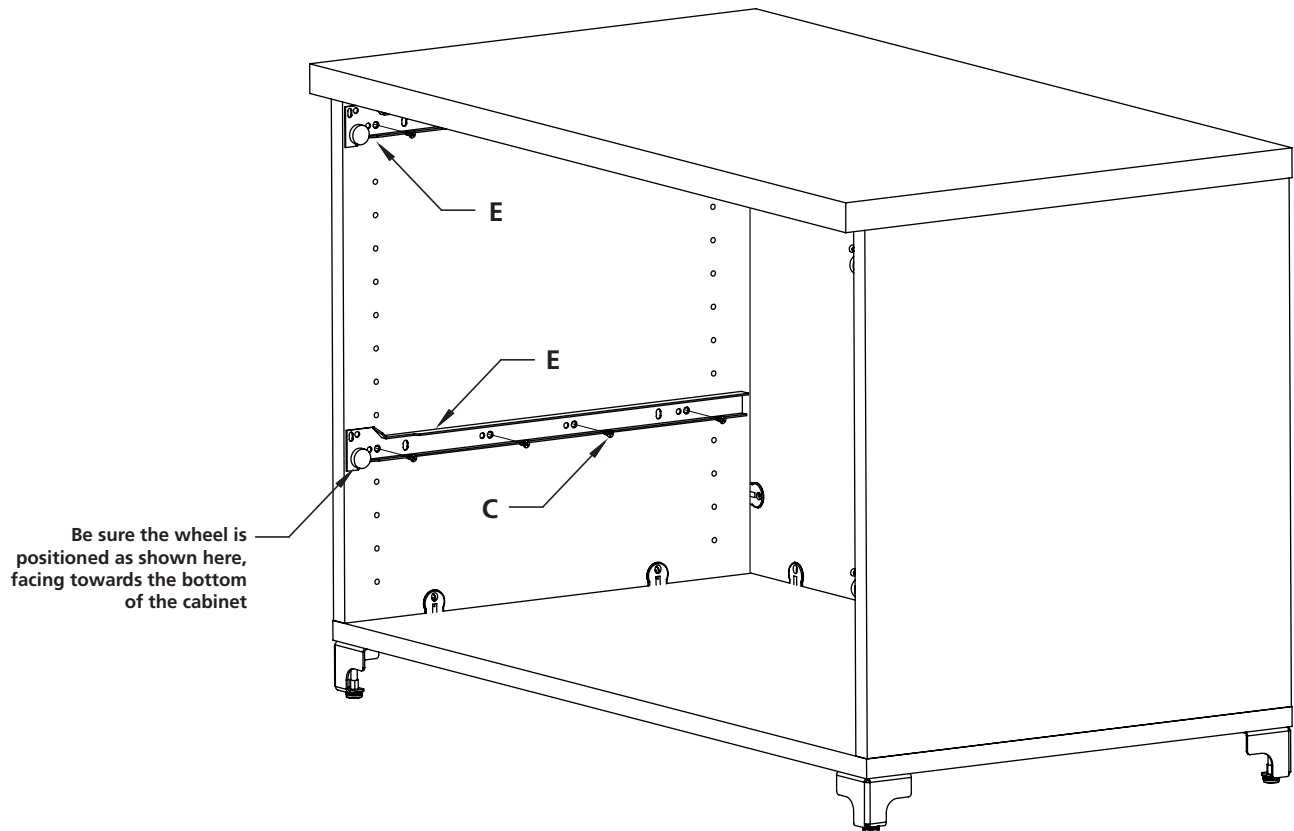
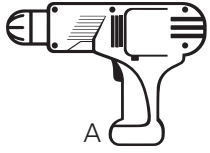
Parts

- E. Handle *x2*
- F. Left Drawer Slides *x2*
- G. Right Drawer Slides *x2*
- H. Lower Drawer *x1*
- I. Upper Drawer *x1*



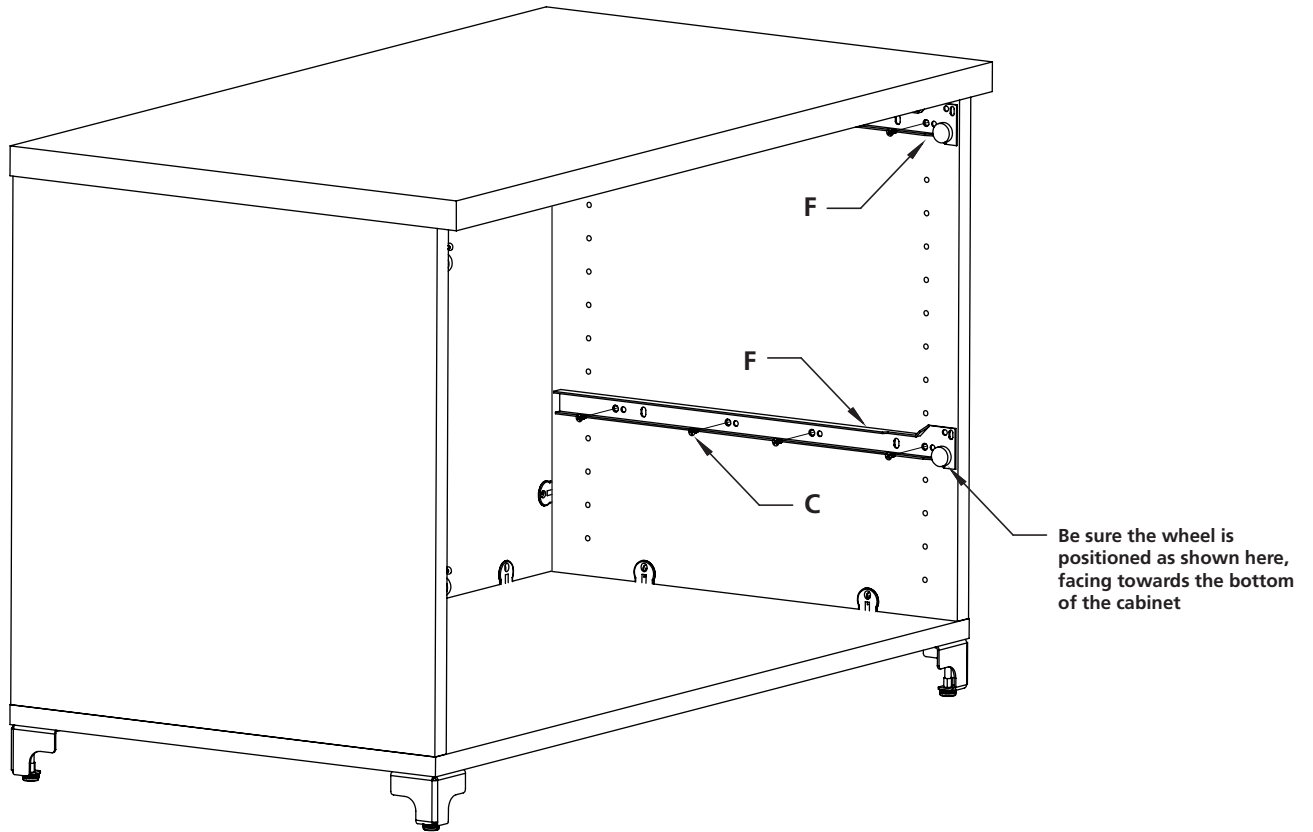
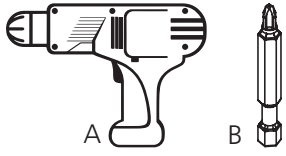
Step 1

- The credenza or vertical storage should already be assembled before installing the drawers.
- Starting on the left side of the cabinet, align one of the left drawer slides (E) with the four pre-drilled holes on the inside of the cabinet.
- Be sure that the front edge of the drawer slide meets the front edge of the cabinet, and that the wheel faces towards the bottom of the cabinet.
- Secure the left drawer slide (E) to the cabinet using four Pozi screws (C).
- Repeat with the second left drawer slide.



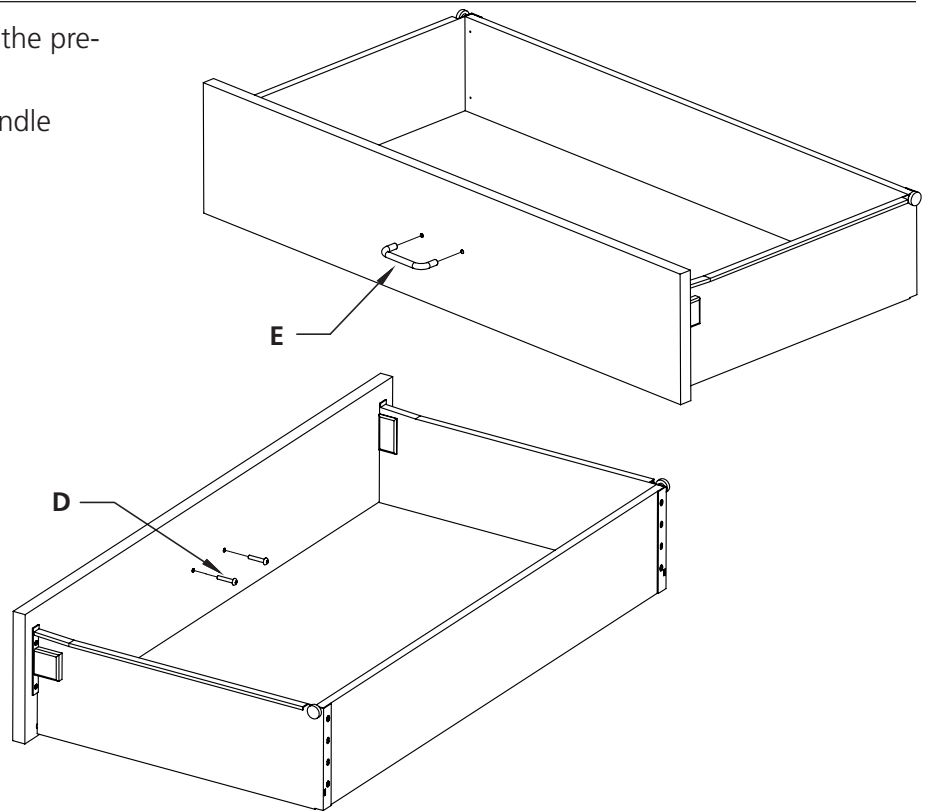
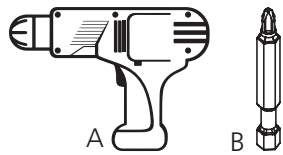
Step 2

- Repeat Step 1 for the right side of the cabinet using the right drawer slides (F).



Step 3

- On upper drawer (I), align a handle (E) with the pre-drilled holes on the front side of the drawer.
- Secure the handle to the door using two handle screws (D).
- Repeat for the lower drawer (H).



Step 4

- Align the wheels on the upper drawer (I) to the lower left and right drawer slides on the inside of the cabinet. It may help to angle the upper drawer (I) to successfully align it with the drawer slides.
- Slide the drawer into the drawer slides.
- Repeat with the lower drawer (H).

