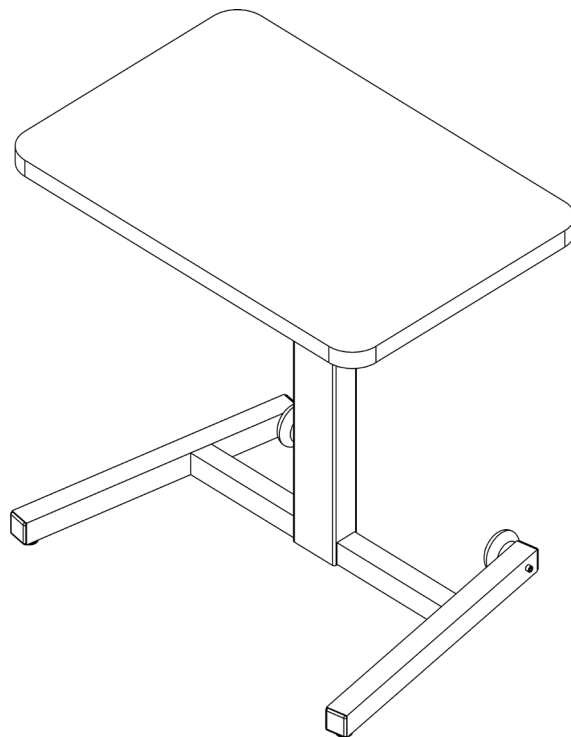
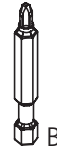
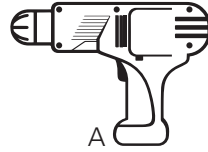




**NewHeights™ Gas Lift Adjustable
SkateDesk Instructions**



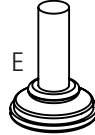
- A. Power Driver with Adjustable Torque
- B. #2 Phillips Head Driver Bit
- C. #2 Square Head Drive Bit (**Recommended**)



May alternately use a #2 Phillips or #2 Square Screwdriver

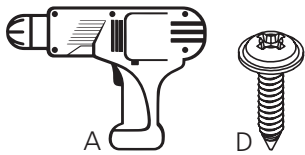
Hardware and Tools Included for Assembly (may have extra)

- D. 5/8" Washer Head Wood Screw x8
- E. Levelers x2

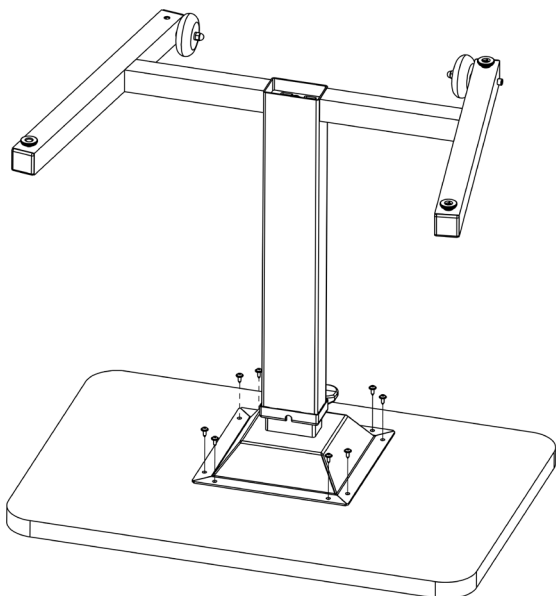


Assembling

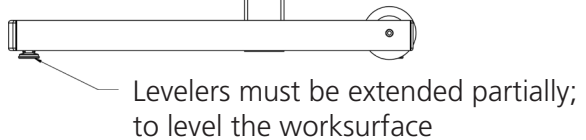
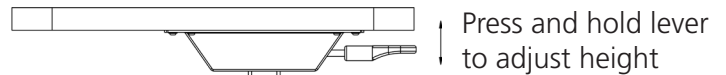
- Place worksurface on a protected surface with pilot holes facing up. Align base with worksurface pilot holes as shown. Install (8) washer head wood screws.

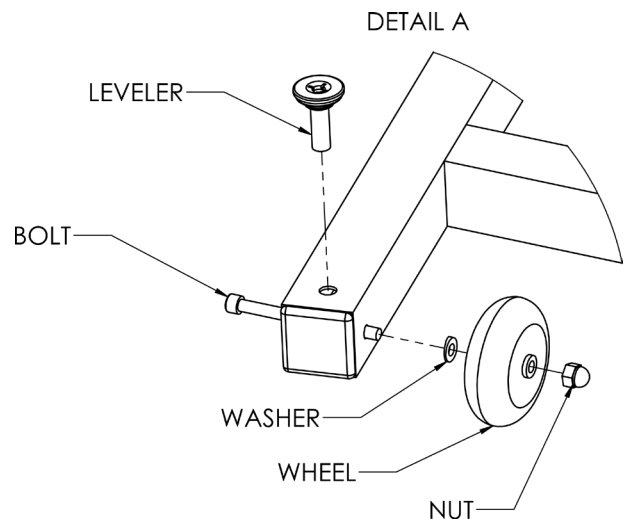
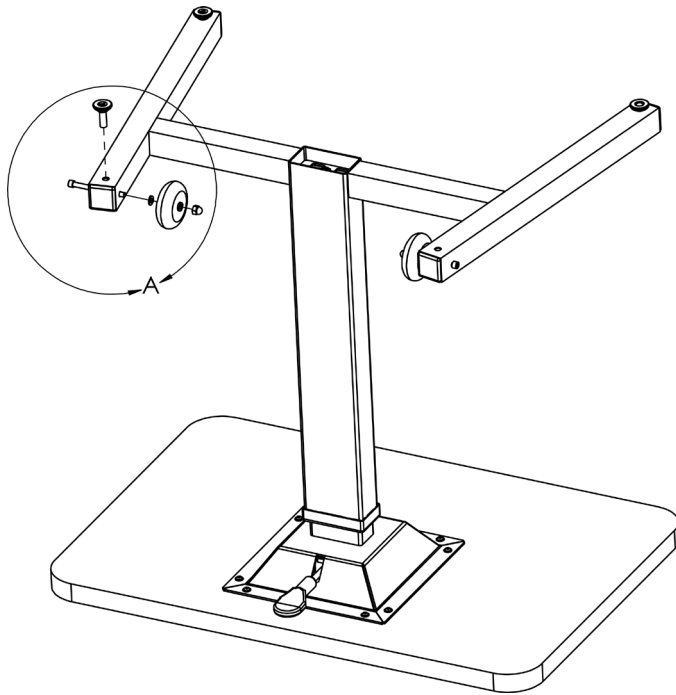


May alternately use a #2 Phillips or #2 Square Screwdriver



Adjusting Height





Rolling to Stationary

- Remove nut, wheel, washer, and bolt
- Install leveler included in hardware bag into threaded hole
- Repeat on opposite side
- Store wheels and hardware

Stationary to Rolling

- Remove levelers
- Store levelers for future use
- Install bolt through outside leg hole, then install washer, wheel, and nut. Wheels install on the inside of the base. Tighten but make sure wheel still rotates freely.
- Repeat on opposite side