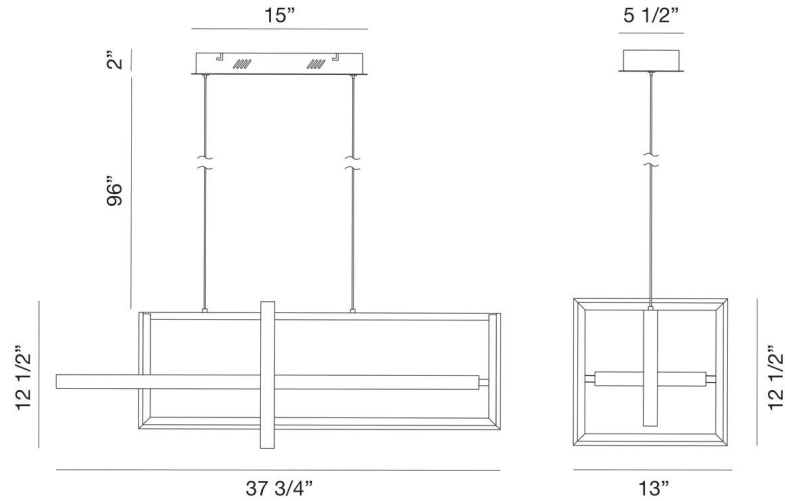


JOB NAME:

DATE:

TYPE:

COMMENTS:



**LIGHT INFORMATION**

|                    |                |
|--------------------|----------------|
| Light Type         | Integrated LED |
| CRI                | 90             |
| Delivered Lumens   | 6400           |
| Color Temperature  | 3000K          |
| LED Lifespan (L70) | 20000          |
| Number of Lights   | 3              |
| Light Direction    | Ambient        |
| Dimming Method     | Triac/Elv      |
| Current Type       | DC             |
| Input Voltage      | 120            |
| Total Wattage      | 114            |

**DIMENSIONS & WEIGHT**

|                 |       |
|-----------------|-------|
| Length (In)     | 37.75 |
| Width (In)      | 13    |
| Height (In)     | 12.5  |
| Min Height (In) | 34.5  |
| Max Height (In) | 110.5 |
| Weight (Lbs)    | 12.76 |

**INSTALLATION**

|                      |                |
|----------------------|----------------|
| Mounting Type        | J-Box          |
| Rating               | Dry            |
| Hanging Support Type | Aircraft Cable |

**PRODUCT FINISH**

Satin Gold Paint

**SHADE FINISH**

Rectangle White Acrylic

**CERTIFICATIONS & COMPLIANCE**

