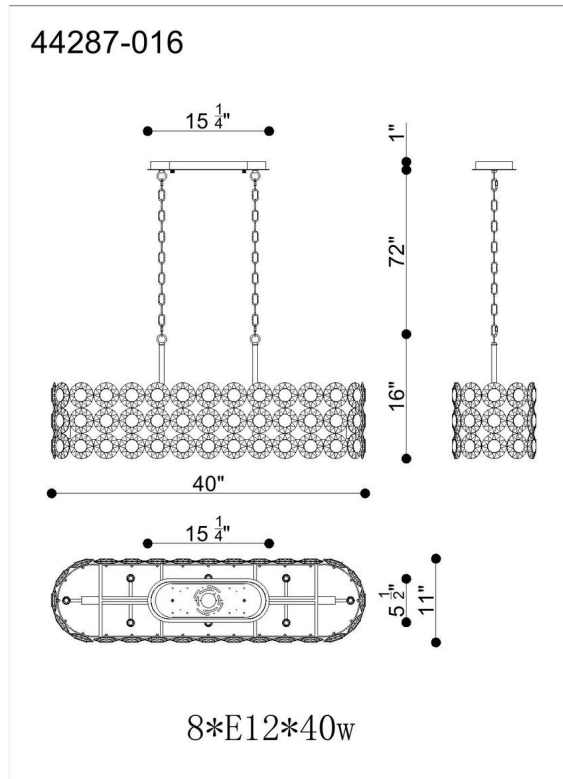


JOB NAME:

DATE:

TYPE:

COMMENTS:



LIGHT INFORMATION

Light Type	Bulb
Bulb Socket	E12
Bulb Shape	B10
Number of Lights	8
Light Direction	Up
Dimming Method	Triac/Elv
Current Type	AC
Input Voltage	120
Total Wattage	480

DIMENSIONS & WEIGHT

Width (In)	11
Height (In)	16
Min Height (In)	20
Max Height (In)	89
Diameter (In)	40
Weight (Lbs)	43

INSTALLATION

Mounting Type	J-Box
Rating	Dry
Hanging Support Type	Chain

PRODUCT FINISH

Gold

SHADE FINISH

Cylindrical Clear Glass

CERTIFICATIONS & COMPLIANCE

