

SINGLE OR DOUBLE POLE INSTALLATION MANUAL



**PLEASE SAVE THIS
MANUAL FOR
FUTURE REFERENCE.**

READ THIS MANUAL CAREFULLY.
SEE INSIDE COVER FOR IMPORTANT
INFORMATION ABOUT THIS MANUAL.
KEEP INSTRUCTION WITH
APPLIANCE FOR FUTURE REFERENCE.

Thank You

Thank you for choosing Eurofase to meet your heating needs. This manual is designed for our single and double pole mount kits

In order to ensure your heater provides efficient, safe and comfortable heat, please take the time to review this manual.

Before installing your pole mount kit, review the safety information found on page 4, page 5 and page 9. Strict adherence to these guidelines is necessary to prevent personal injury or property damage.

Pages 9 through 16 reviews essential installation and assembly instructions, containing placement and orientation guidelines that are extremely important to a safe and efficient installation.

Please keep this manual in a safe place for future reference and urgent needs.

EUROfase
HEATING

Contents

WARNINGS Page 4

OVERVIEW Page 5

TECHNICAL SPECIFICATIONS Page 5

INSTALLATION INSTRUCTIONS Page 6

MANUFACTURER WARRANTY Page 12

PLEASE READ ALL INSTRUCTIONS PRIOR TO INSTALLING THE POLE MOUNT KIT OR USING HEATER.

This unit may cause a shock or possible ignition if service is attempted without first disconnecting its power source.

Keep electrical cords, drapery, furnishings and other combustible materials at least 3.3ft (1m) from the heater's front fascia and away from sides and rear.

A LICENSED ELECTRICIAN IS REQUIRED TO INSTALL THIS PRODUCT.

GOOD TO KNOW!

For optimal heater performance and longevity, a 15 minute cool down period is recommended after 4 hours of continuous usage.

WARNING CHECKLIST:



- The flush mount kit is not suitable for use with ceiling mount and wall mount applications
- only utilize the standard grill provided with the heater for flush mount installation applications
- The Eurofase Heating decorative cover is incompatible with this flush mount installation
- Ensure that the front fascia of the heater body faces downward and aligns flush with the finished ceiling
- Installation of the heater and flush mount kit is not suitable for pitched angles
- The flush mount kit is only suitable for flat, non-sloped ceiling applications
- Install the accessible junction box on the outer portion of the sealed drywall pocket
- Required to use 5/8" Type X drywall
- Required to use the supplied 4-foot hi-temp fixture whip and hi-temp ceramic wire nuts
- Extended length hi-temp fixture whips are available. Please contact Eurofase Heating or your distributor for purchasing information

Turn the heater on only when you need heat and avoid any misuse.



Do not use the heater if the ambient temperature exceeds 80°F (26.6°C). Before connecting the appliance make sure that the voltage is the same as indicated on the device and the line supply is corresponding to the relevant electrical code.

This heater **MUST** be permanently installed. An authorized/licensed electrician is required for hard-wired installation. Do not perform maintenance, or carry out installation or assembly procedure while electrical power is switched on.



ELECTRIC SHOCK HAZARD!

Serious injury or death may occur. Disconnect from electrical supply before installing or servicing this heater. Read and follow installation requirements outlined in this manual. The Appliance **MUST** be connected to a properly grounded electrical source.

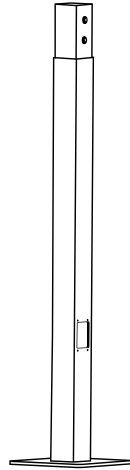
Overview

What's in the box? Please inspect all parts included in the package.

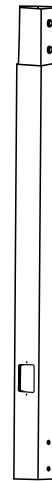
Box 1 #45457



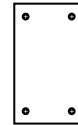
Instruction Manual (x1)



Mounting Base (x1)

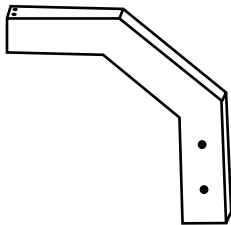


Center Pole (x1)

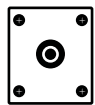


Service Door (x3)
and #6 Screw (x8 or x12)
(Pre-assembled)

Box 2 #45458



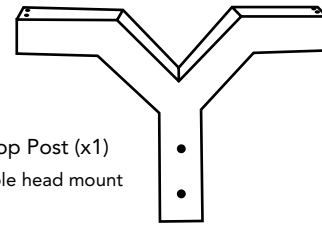
Top Post (x1)
Single head mount



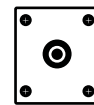
Top post Service door
(x1) and #6 Screw (x4)
(Pre-assembled)

OR

Box 2 #45459

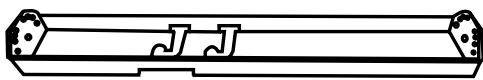


Top Post (x1)
Double head mount



Top post Service door
(x1) and #6 Screw (x4)
(Pre-assembled)

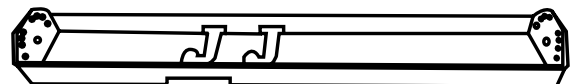
Box 3 #45460



39" Cross bar (x1)

OR

Box 3 #45462



61" Cross bar (x1)

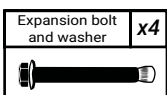
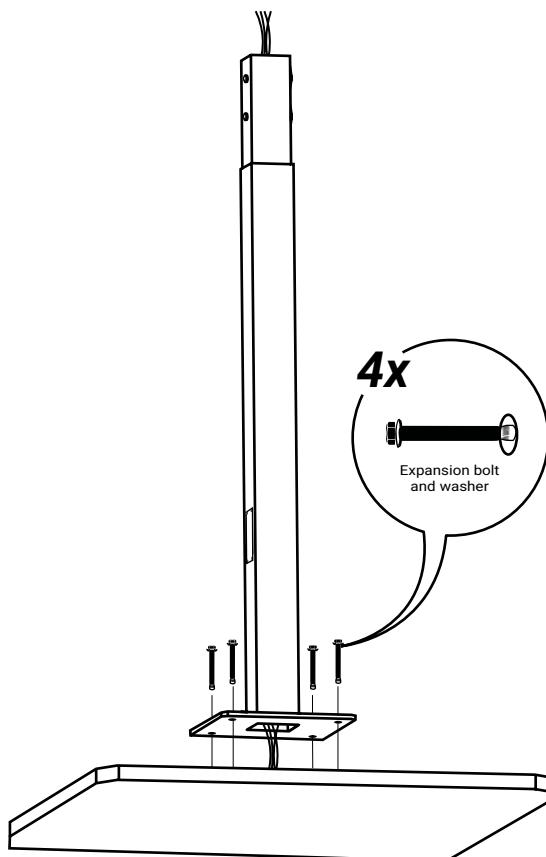
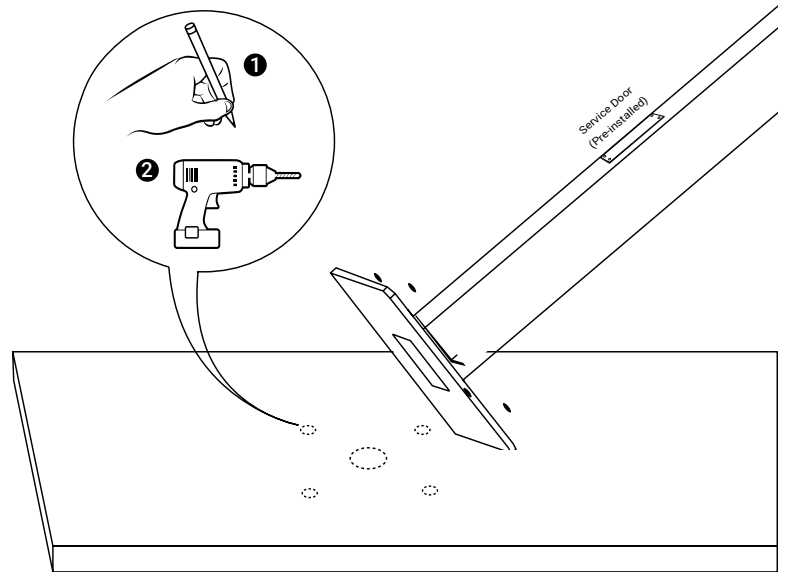
Technical Specifications

Types	Item No.	Color	Weight	Mounting Height	Fits
Single Mount	EF3908PMB	Black	40.6 lbs	96"	EF15, EF20, EF25, EF40, EF50
Single Mount	EF3908PMW	White	40.6 lbs	96"	EF15, EF20, EF25, EF40, EF50
Single Mount	EF6108PMB	Black	41.6 lbs	96"	EF30, EF60
Single Mount	EF6108PMW	White	41.6 lbs	96"	EF30, EF60
Double Mount	EF3908PMDB	Black	45 lbs	96"	EF15, EF20, EF25, EF40, EF50
Double Mount	EF3908PMDW	White	45 lbs	96"	EF15, EF20, EF25, EF40, EF50
Double Mount	EF6108PMDB	Black	46 lbs	96"	EF30, EF60
Double Mount	EF6108PMDW	White	46 lbs	96"	EF30, EF60

Installation Instructions

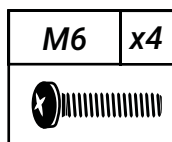
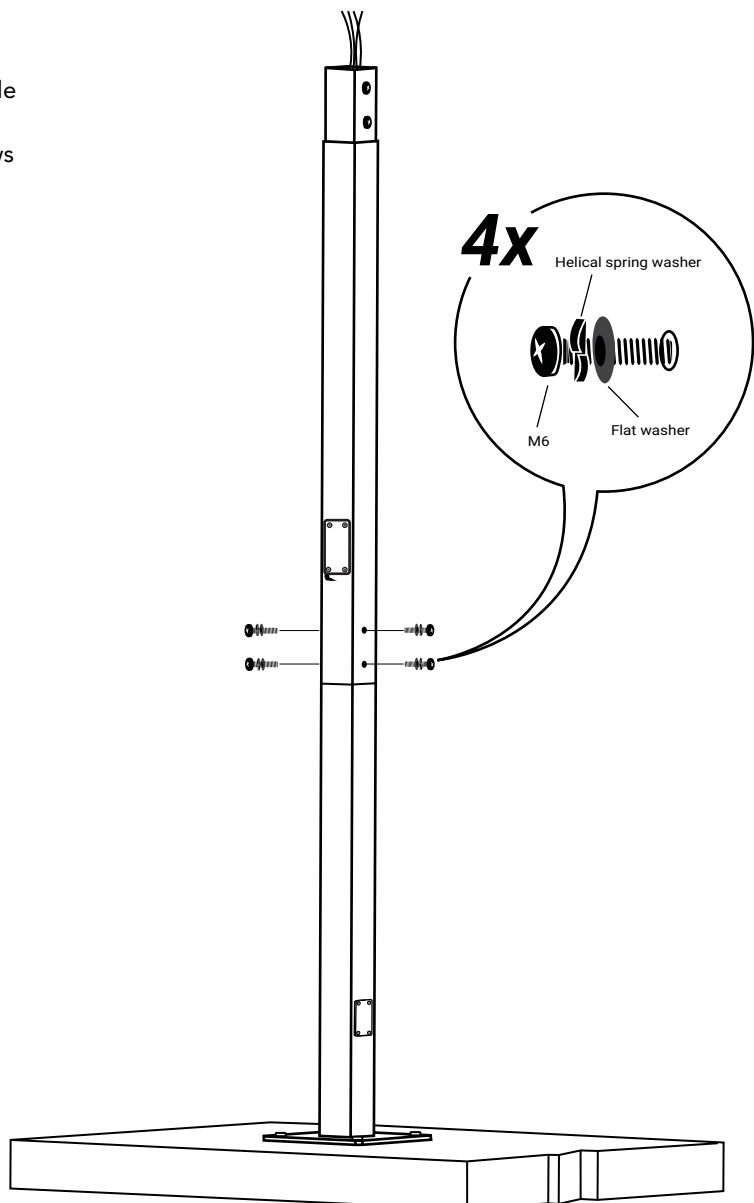
STEPS:

1. Determine an installation location for your pole mount kit and prepare pre-buried wires at the bottom of the mounting base.
2. Position the mounting base over the installation location.
3. Mark hole locations (4 from the bottom plate) and drill holes to a depth of 85mm using a 14mm impact drill bit.



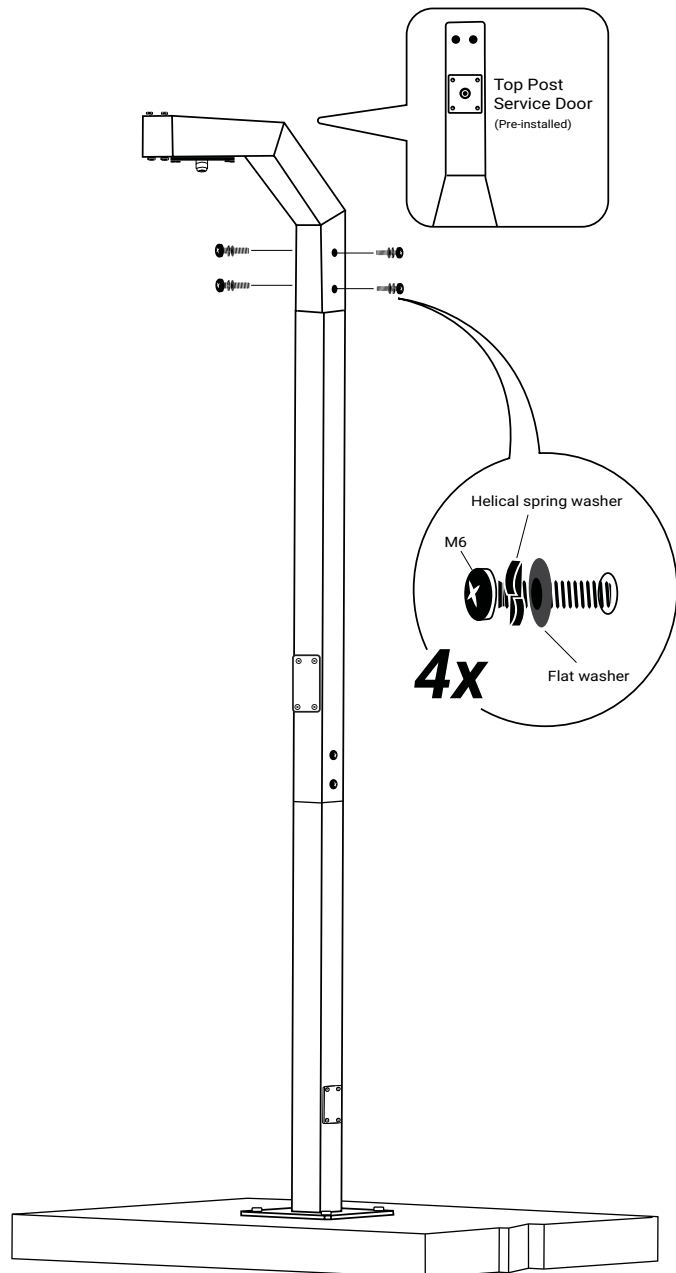
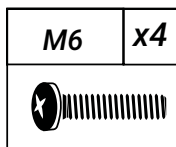
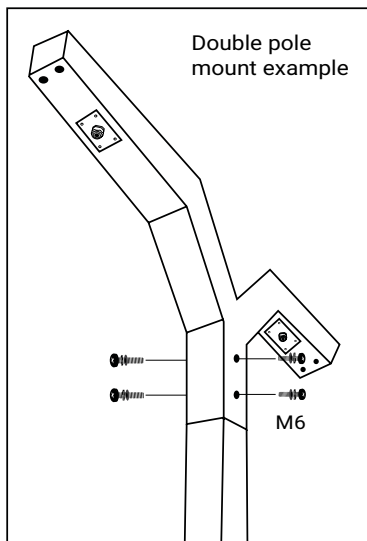
4. Feed the wires through the bottom to the top of the mounting base.
5. Position mounting base over the holes and use 4 expansion bolts and washers to secure mounting base on the ground. It is recommended to torque the bolts to 350ft.lb.

- Align the bottom of the center pole with the top of the mounting base. Ensure the crew holes, service doors and switch locations are aligned according to the illustration below.
- Feed the wire set through the center pole and mount the center pole to the top of the mounting base with (4x) M6 screws provided.



Installation Instructions

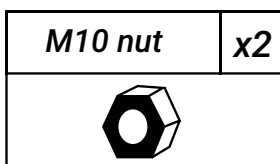
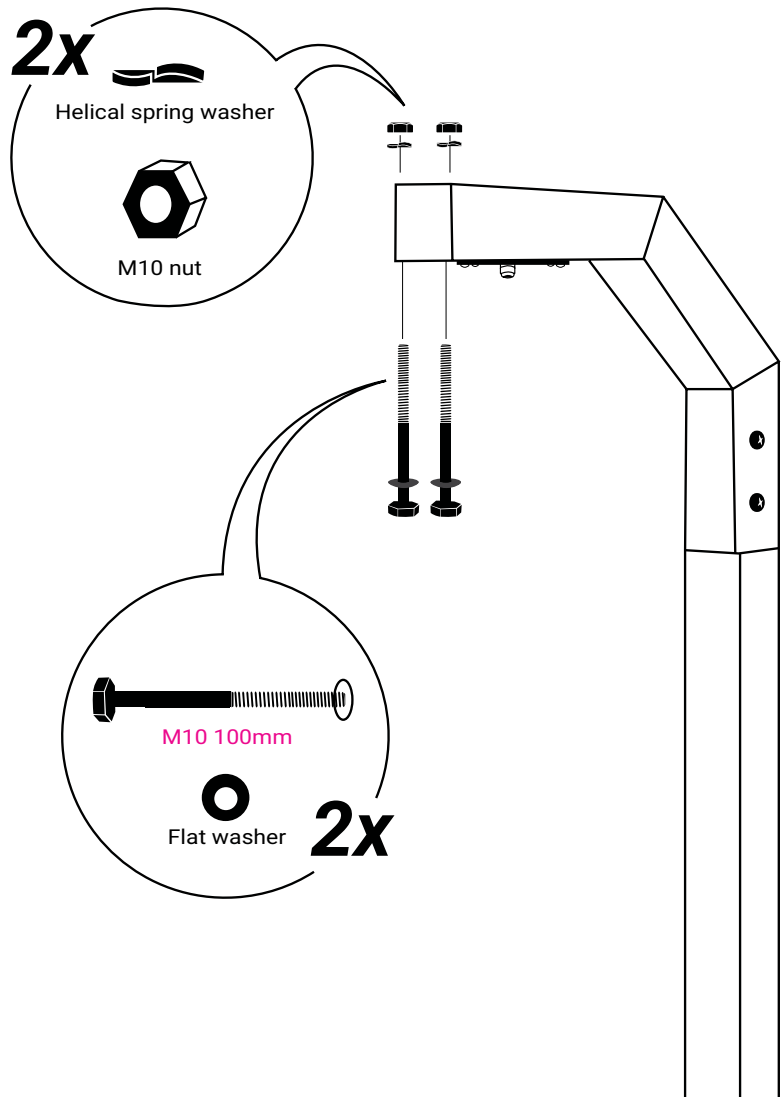
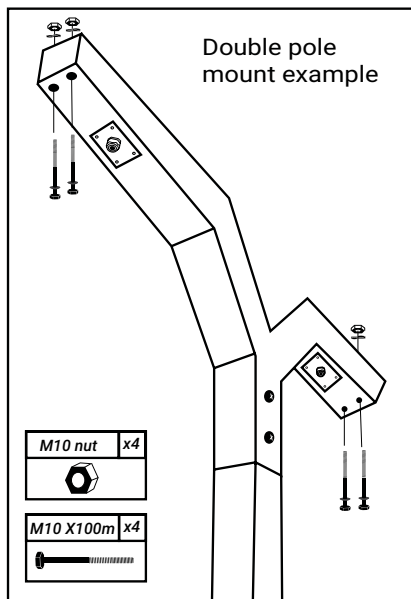
8. Position the top post and center pole together and ensure the screw holes are aligned in the direction showing in the illustration.
9. Feed the wire set through the crossbar to the top post service door.
10. Mount the top post to the center pole using (4x) M6 screws.



11. Insert (2x) M10 x 100mm screws from the screw holes at the bottom of the top post, tighten with (2x) washers and (2x) M10 nuts.

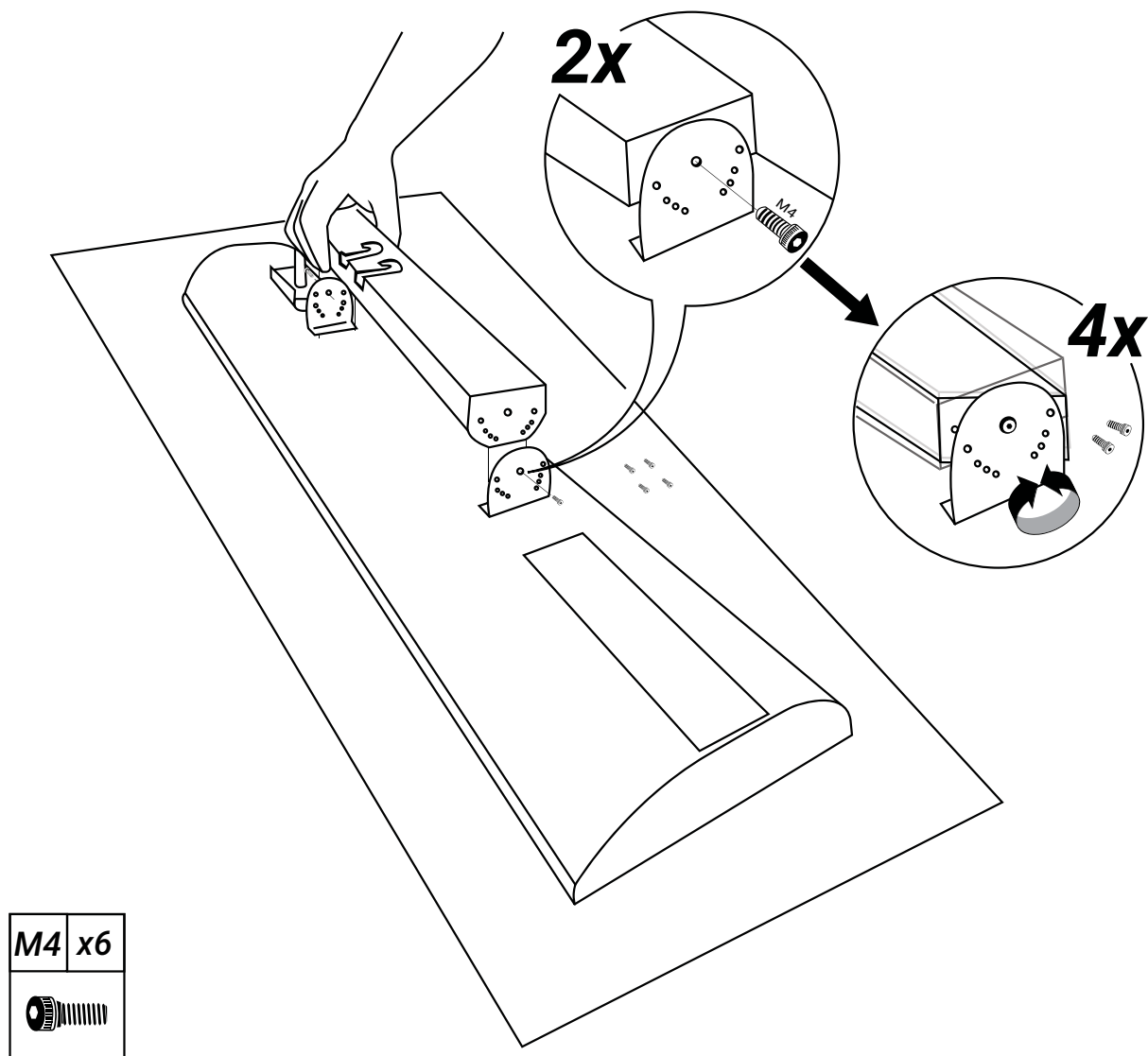
A. Single Pole Mount – loosen the pre installed screws (prepare for mounting bracket installation in the next few steps)

B. Double Pole Mount – insert (4x) M10 screws from the bottom through the (2x) top post arms then tighten with (4x) washers and (4x) M10 nuts.

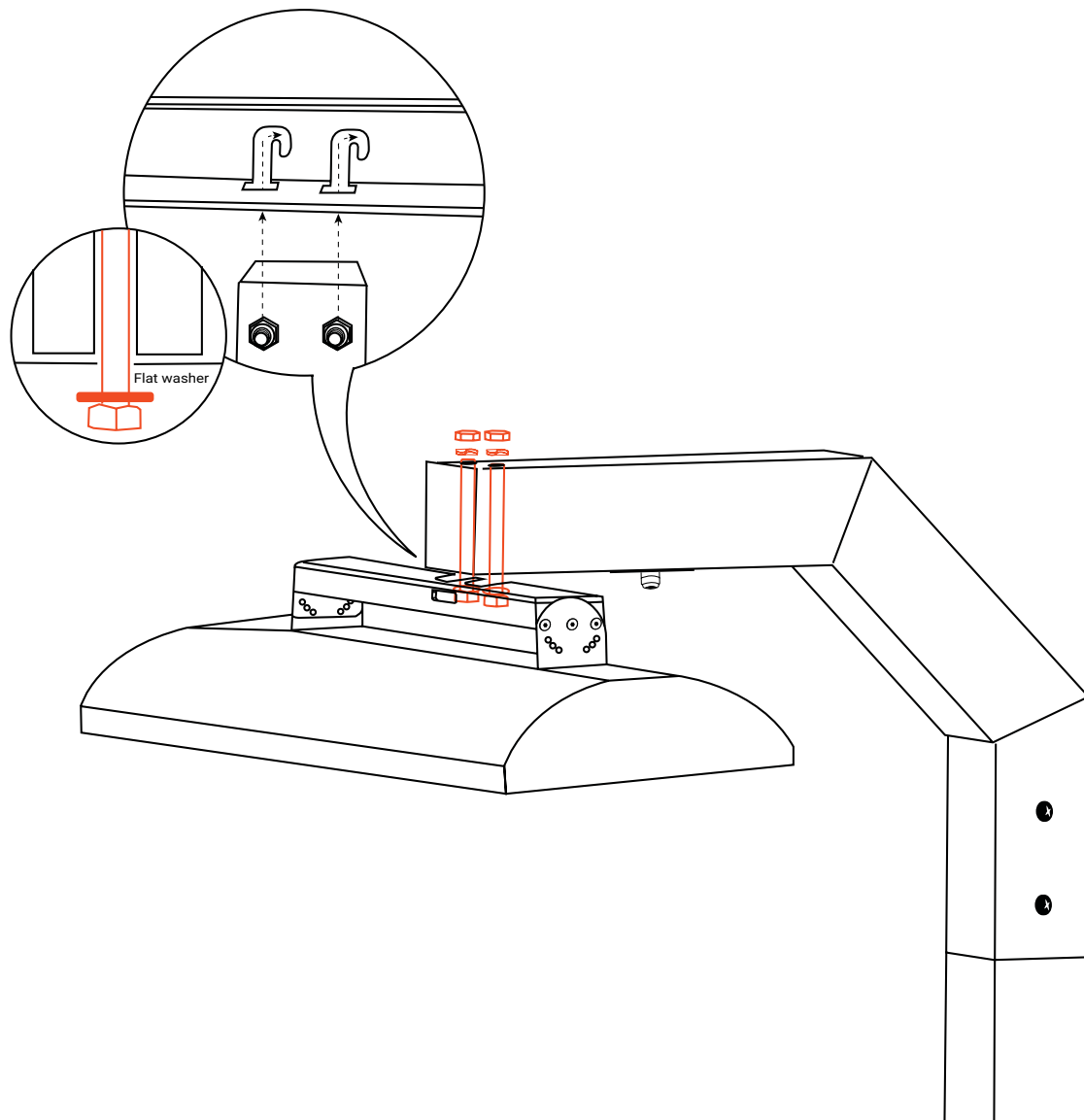


Installation Instructions

12. Place heater (face down) on a towel or cloth, determine the mounting angle (how the heater will be positioned when elevated).
13. Insert the M4 screw provided through the center holes of the heater bracket, tilt the crossbar to the desired angle then tighten the screws onto the crossbar. Repeat the same steps on the other end of the assembly.
14. Secure the mounting brackets to the cross bar with (4x) M4 screws.
(Original 13 & 14 are duplicated)



15. Using the slots on the back of the mounting bracket, lift and slide the heater into its secure position. The flat washer should be between the nuts and mounting bracket.
16. Ensure the (2x) M10 x 100mm nuts are properly tightened.
17. Inspect the tightness of all screws and nuts.
18. Follow Eurofase Heater Installation and Service Manuals for wiring information.



Manufacturer Warranty

Our heater is designed to provide you and your family with great outdoor experiences for years to come. To register, please fill in the Model and Serial number as well as the date of purchase in the areas below. For future reference, please save this information. Your electric heater's owner's manual should be carefully read before use. Please make sure that all family members are aware of the proper way to operate the heater and how to prevent serious injury.

Eurofase Heating warrants that this electric heater is designed and manufactured to be free from defects in materials and workmanship for a period of three years from the original date of purchase.

THREE YEAR LIMITED WARRANTY

THIS WARRANTY IS APPLICABLE TO THE ORIGINAL OWNER ONLY in accordance with the warranty terms and conditions specified below.

Eurofase Heating (warrantor) will furnish the original owner replacement parts for any component part which fails before three years of use from date of original purchase. At our option, Eurofase Heating may offer to rebuild or replace the heater within the limited warranty period. Installation, use and maintenance must be in accordance with instructions contained in the Installation Instructions.

THE WARRANTY DOES NOT COVER:

- Service and labor costs incurred for diagnosing, removing or reinstallation of the heater(s) or parts(s) thereof.
- Shipping and delivery charges.
- Damage or repairs due to faulty installation, misapplication, negligence, thermal shock, earthquake, flood, fire, and purposeful damage to the heater.
- Failure to operate due to electrical service issues including voltage conditions, blown fuses or circuit breakers.
- Damage due to the inadequacy or interruption of electrical service.
- Normal product wear (oxidation, scratches, heating element replacement, etc.)

GENERAL CONDITIONS PERTAINING TO WARRANTY

The warranty shall be null and void if the heater is not installed by a licensed heating contractor and/or licensed electrician or if the heater is not installed according to the Installation Instructions, normal industry practices and/or if the heater is not maintained and repaired according to the instructions.

Written permission is required for the return of any parts or equipment and any such return must be made on the basis of transportation charges prepaid. Shipment may be refused unless prior written permission is obtained and good returned prepaid.

LIMITATION ON IMPLIED WARRANTIES

Implied warranties, including any warranty of merchantability imposed on the sale of this heater under provincial or State law are limited to three year duration. Some states do not allow limitations on how long an implied warranty lasts.

CLAIMS PROCEDURE

Any claim under this warranty should be initiated with the dealer who sold the heater, or with any dealer handling the warrantor's products. If this is not practical, the owner of the heater should contact Eurofase Heating toll free at 1-833-346-6682 (hours of operation 8:30am-5pm Monday-Friday) or via email info@EurofaseHeating.com.

NEED MORE INFORMATION?

If you have further questions please contact us at:

Email: info@EurofaseHeating.com

Phone: 1-833-346-6682

EUROfase
HEATING



Eurofase CANADA

33 West Beaver Creek, Richmond Hill,
ON L4B 1L8

Eurofase USA

2100 Stemmons Freeway, Suite 4002,
Dallas, TX 75207

EurofaseHeating.com

Email: info@EurofaseHeating.com
Tel: 1-833-346-6682