

FEATURES:

1. For splicing two copper or aluminum wires of equal or different sizes
2. Made of 6061T-6 aluminum alloy
3. Electro-tin plated for low contact resistance

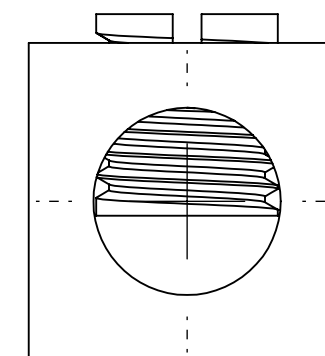
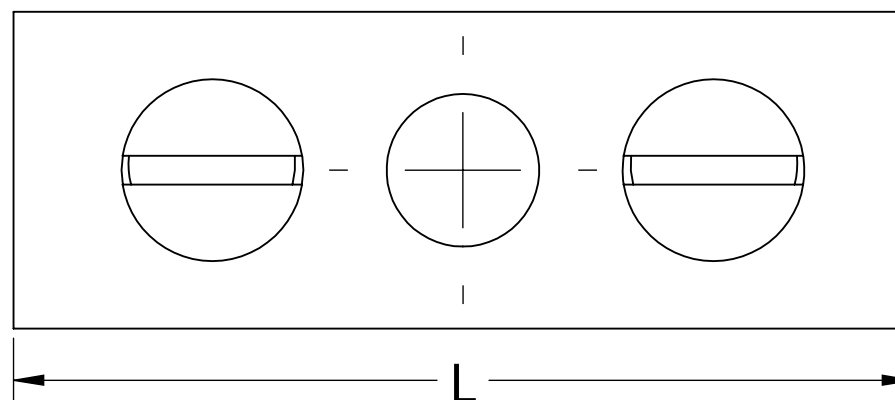
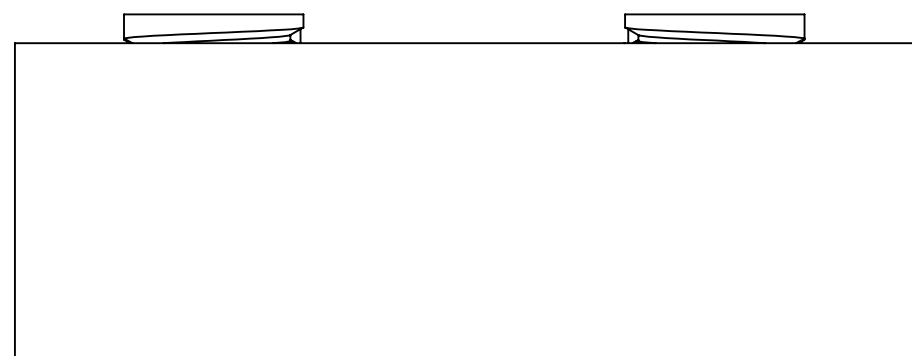
SPECIFICATIONS:

1. Voltage Rating: 600V
2. Finish: Tin Plated

POLARIS[®]

PROGRAM:	SOLIDWORKS
UPDATED:	09/2024
SALES REV:	A
SIZE:	B (11x17)

SRR: Splicer Reducer



CAT. NO.	WIRE RANGE	LENGTH (L)	Pack Qty
1/0SRR	1/0 AWG – 14 AWG	1.5 IN	2
2SRR	2 AWG – 14 AWG	1.594 IN	2
2SR	2 AWG – 14 AWG	1.594 in	50