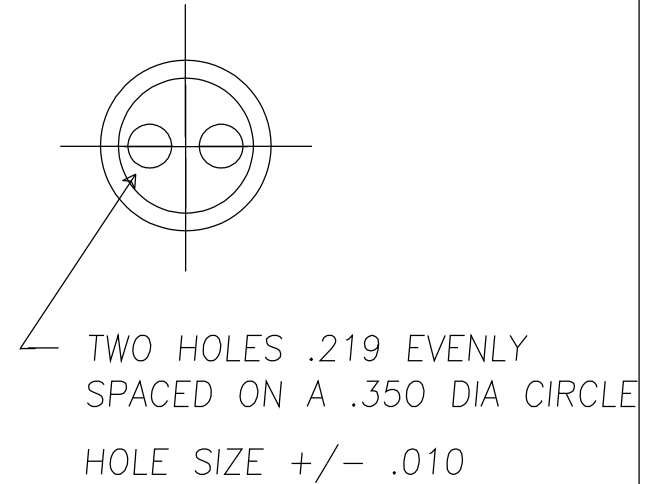
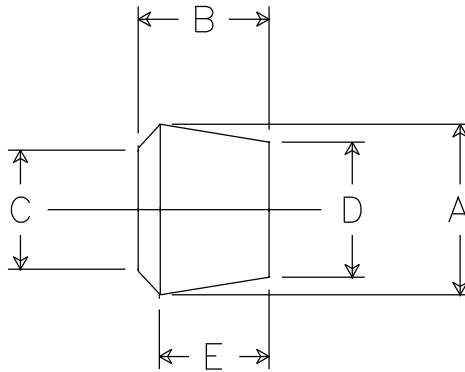


DIMENSIONS

A	.8750
B	.6563
C	.6250
D	.6875
E	.5313



NOTES:

- 1.0 ANGULAR TOLERANCE +/- 1/2 DEGREE
- 2.) FLASH TO BE HELD TO A MINIMUM AND MAY NOT WEBB ACROSS HOLE DIA.
- 3.) 1D/OD CONCENTRICITY WITHIN .20
- 4.) ALL OTHER DIM +/- .015

REMKE INDUSTRIES
Wheeling, Illinois 60090

SCALE: APPROX FULL
MATERIAL: NEOPRENE 50-60 DUROMETER
FINISH: NATURAL BLACK
PART NAME: BUSHING
PART NUMBER: SRB-10732-2
DRAWING DATE: 000725