





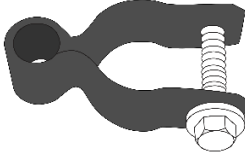

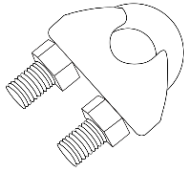
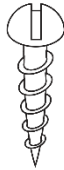



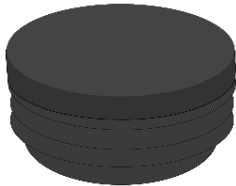



Dog Fence Direct Burial Access Gate Installation Instructions

Note: If a tension system was purchased, please refer to tensioning kit instructions **BEFORE** these instructions.

HARDWARE PARTS – DE911101

<p>A</p> <p>QTY: 2</p>  <p>1 5/8" Brace Band Black</p> <p>SKU: DE8080</p>	<p>B</p> <p>QTY: 2</p>  <p>1 3/8" Brace Cup Black</p> <p>SKU: DE8142</p>	<p>C</p> <p>QTY: 4</p>  <p>Corner Elbow Hex 1 3/8" Heavy Duty Black</p> <p>SKU: DE8112</p>	<p>D</p> <p>QTY: 2</p>  <p>End Clamp Black Galvanized Steel 1 3/8" x 1 3/8"</p> <p>SKU: DE8154</p>
<p>E</p> <p>QTY: 2</p>  <p>Turnbuckle Gate Tension Assembly</p> <p>SKU: DE8464</p>	<p>F</p> <p>QTY: 2</p>  <p>Male Hinge Black Galvanized Steel 1 5/8"</p> <p>SKU: DE8212</p>	<p>G</p> <p>QTY: 2</p>  <p>Female Hinge Black Galvanized Steel 1 3/8"</p> <p>SKU: DE8210</p>	<p>H</p> <p>QTY: 2</p>  <p>Fork Latch Assembly 1 5/8" Black</p> <p>SKU: DE8180</p>
<p>I</p> <p>QTY: 2</p>  <p>Monofilament Connector Clip</p> <p>SKU: DE2830</p>	<p>J</p> <p>QTY: 16</p>  <p>Self-Tapping Screw 3/4"</p> <p>SKU: DE9978-1</p>	<p>K</p> <p>QTY: 2</p>  <p>Carriage Bolt w/Washer & Nut Hot Dip Galvanized - 5/16" x 2"</p> <p>SKU: DE8044</p>	<p>L</p> <p>QTY: 4</p>  <p>Carriage Bolt w/Washer & Nut Hot Dip Galvanized - 3/8" x 2"</p> <p>SKU: DE8054</p>
<p>M</p> <p>QTY: 2</p>  <p>Carriage Bolt w/Washer & Nut Hot Dip Galvanized - 5/16" x 1 1/2"</p> <p>SKU: DE8042</p>	<p>N</p> <p>QTY: 2</p>  <p>1 5/8" Black Vinyl Post Cap</p> <p>SKU: DE8089</p>	<p>O</p> <p>QTY: 1 pk</p>  <p>8" High Strength Nylon Self-Locking Ties – 50pk</p> <p>SKU: DE2853</p>	<p>Recommended Tools (not included)</p> <ul style="list-style-type: none"> Power Drill with 5/16" Drill Bit Socket Wrench 5/16" or Adjustable wrenches Tape Measure Level Shovel/Post Hole Digger Concrete/Expanding Post Foam

Pipe Part List for 6' Dog Access Gate

	6'H x 3' W			6'H x 4' W			6'H x 5' W			6' H x 6' W			6' H x 7' W		
	Qty	Pipe Measurement	SKU	Qty	Pipe Measurement	SKU	Qty	Pipe Measurement	SKU	Qty	Pipe Measurement	SKU	Qty	Pipe Measurement	SKU
Frame Posts (N)	2	1 5/8" x 102"	DE8358-102	2	1 5/8" x 102"	DE8358-102	2	1 5/8" x 102"	DE8358-102	2	1 5/8" x 102"	DE8358-102	2	1 5/8" x 102"	DE8358-102
Horizontal Pipe for Gate Door (C)	2	1 3/8" x 33"	DE8352-033	2	1 3/8" x 45"	DE8352-045	2	1 3/8" x 57"	DE8352-057	2	1 3/8" x 69"	DE8352-069	2	1 3/8" x 81"	DE9553-081
Vertical Pipe for Gate Door (B)	2	1 3/8" x 68"	DE8352-068	2	1 3/8" x 68"	DE8352-068	2	1 3/8" x 68"	DE8352-068	2	1 3/8" x 68"	DE8352-068	2	1 3/8" x 68"	DE8352-068
Center Bar (D)	1	1 3/8" x 32"	DE8352-032	1	1 3/8" x 44"	DE8352-044	1	1 3/8" x 56"	DE8352-056	1	1 3/8" x 68"	DE8352-068	1	1 3/8" x 80"	DE8352-080
Brace Posts (E)	2	1 3/8" x 84"	DE8353-084	2	1 3/8" x 84"	DE8353-084	2	1 3/8" x 84"	DE8353-084	2	1 3/8" x 84"	DE8353-084	2	1 3/8" x 84"	DE8353-084

Pipe Part List for 5' Dog Access Gate

	5'H x 3' W			5'H x 4' W			5'H x 5' W			5' H x 6' W			5' H x 7' W		
	Qty	Pipe Measurement	SKU	Qty	Pipe Measurement	SKU	Qty	Pipe Measurement	SKU	Qty	Pipe Measurement	SKU	Qty	Pipe Measurement	SKU
Frame Posts (N)	2	1 5/8" x 96"	DE8358-096	2	1 5/8" x 96"	DE8358-096	2	1 5/8" x 96"	DE8358-096	2	1 5/8" x 96"	DE8358-096	2	1 5/8" x 96"	DE8358-096
Horizontal Pipe for Gate Door (C)	2	1 3/8" x 33"	DE8352-033	2	1 3/8" x 45"	DE8352-045	2	1 3/8" x 57"	DE8352-057	2	1 3/8" x 69"	DE8352-069	2	1 3/8" x 81"	DE9553-081
Vertical Pipe for Gate Door (B)	2	1 3/8" x 58"	DE9553-058	2	1 3/8" x 58"	DE9553-058	2	1 3/8" x 58"	DE9553-058	2	1 3/8" x 58"	DE9553-058	2	1 3/8" x 58"	DE9553-058
Center Bar (D)	1	1 3/8" x 32"	DE8352-032	1	1 3/8" x 44"	DE8352-044	1	1 3/8" x 56"	DE8352-056	1	1 3/8" x 68"	DE8352-068	1	1 3/8" x 80"	DE8352-080
Brace Posts (E)	2	1 3/8" x 72"	DE8352-072	2	1 3/8" x 72"	DE8352-072	2	1 3/8" x 72"	DE8352-072	2	1 3/8" x 72"	DE8352-072	2	1 3/8" x 72"	DE8352-072

Pipe Part List for 4' Dog Access Gate

	4'H x 3' W			4'H x 4' W			4'H x 5' W			4' H x 6' W			4' H x 7' W		
	Qty	Pipe Measurement	SKU	Qty	Pipe Measurement	SKU	Qty	Pipe Measurement	SKU	Qty	Pipe Measurement	SKU	Qty	Pipe Measurement	SKU
Frame Posts (N)	2	1 5/8" x 78"	DE8358-078	2	1 5/8" x 78"	DE8358-078	2	1 5/8" x 78"	DE8358-078	2	1 5/8" x 78"	DE8358-078	2	1 5/8" x 78"	DE8358-078
Horizontal Pipe for Gate Door (C)	2	1 3/8" x 33"	DE8352-033	2	1 3/8" x 45"	DE8352-045	2	1 3/8" x 57"	DE8352-057	2	1 3/8" x 69"	DE8352-069	2	1 3/8" x 81"	DE9553-081
Vertical Pipe for Gate Door (B)	2	1 3/8" x 44"	DE8352-044	2	1 3/8" x 44"	DE8352-044	2	1 3/8" x 44"	DE8352-044	2	1 3/8" x 44"	DE8352-044	2	1 3/8" x 44"	DE8352-044
Center Bar (D)	1	1 3/8" x 32"	DE8352-032	1	1 3/8" x 44"	DE8352-044	1	1 3/8" x 56"	DE8352-056	1	1 3/8" x 68"	DE8352-068	1	1 3/8" x 80"	DE8352-080
Brace Posts (E)	2	1 3/8" x 60"	DE8352-060	2	1 3/8" x 60"	DE8352-060	2	1 3/8" x 60"	DE8352-060	2	1 3/8" x 60"	DE8352-060	2	1 3/8" x 60"	DE8352-060

Pipe Part List for 3' Dog Access Gate

	3'H x 3' W			3'H x 4' W			3'H x 5' W			3' H x 6' W			3' H x 7' W		
	Qty	Pipe Measurement	SKU	Qty	Pipe Measurement	SKU	Qty	Pipe Measurement	SKU	Qty	Pipe Measurement	SKU	Qty	Pipe Measurement	SKU
Frame Posts (N)	2	1 5/8" x 66"	DE8358-066	2	1 5/8" x 66"	DE8358-066	2	1 5/8" x 66"	DE8358-066	2	1 5/8" x 66"	DE8358-066	2	1 5/8" x 66"	DE8358-066
Horizontal Pipe for Gate Door (C)	2	1 3/8" x 33"	DE8352-033	2	1 3/8" x 45"	DE8352-045	2	1 3/8" x 57"	DE8352-057	2	1 3/8" x 69"	DE8352-069	2	1 3/8" x 81"	DE9553-081
Vertical Pipe for Gate Door (B)	2	1 3/8" x 32"	DE8352-032	2	1 3/8" x 32"	DE8352-032	2	1 3/8" x 32"	DE8352-032	2	1 3/8" x 32"	DE8352-032	2	1 3/8" x 32"	DE8352-032
Center Bar (D)	1	1 3/8" x 32"	DE8352-032	1	1 3/8" x 44"	DE8352-044	1	1 3/8" x 56"	DE8352-056	1	1 3/8" x 68"	DE8352-068	1	1 3/8" x 80"	DE8352-080
Brace Posts (E)	2	1 3/8" x 48"	DE8352-048	2	1 3/8" x 48"	DE8352-048	2	1 3/8" x 48"	DE8352-048	2	1 3/8" x 48"	DE8352-048	2	1 3/8" x 48"	DE8352-048

Dog Fence Direct Burial Access Gate Installation Instructions

1. Layout your **FRAME POSTS (N)** where you would like your access gate to go on your fence line. Using the table below, measure out your gate distance between your post going from the **INSIDE** edge of one **FRAME POST (N)** to the **INSIDE** edge of the opposite **FRAME POST (N)**.

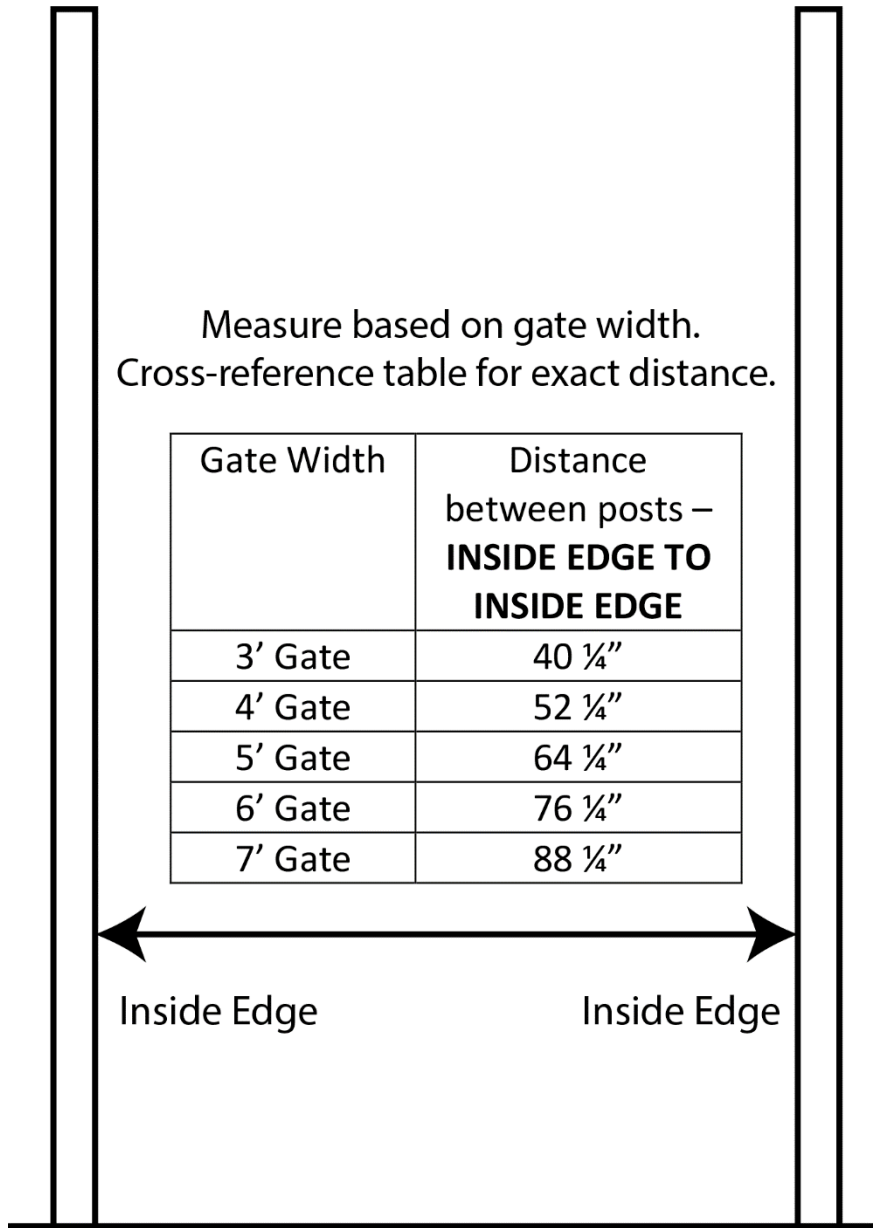
Note: It is **EXTREMELY** important to double check the measurement between the **FRAME POSTS (N)** before the next step as these posts will be set into concrete.

Gate Width	Distance between posts – INSIDE EDGE TO INSIDE EDGE
3' Gate	40 ¼"
4' Gate	52 ¼"
5' Gate	64 ¼"
6' Gate	76 ¼"
7' Gate	88 ¼"

1.

Measure based on gate width.
Cross-reference table for exact distance.

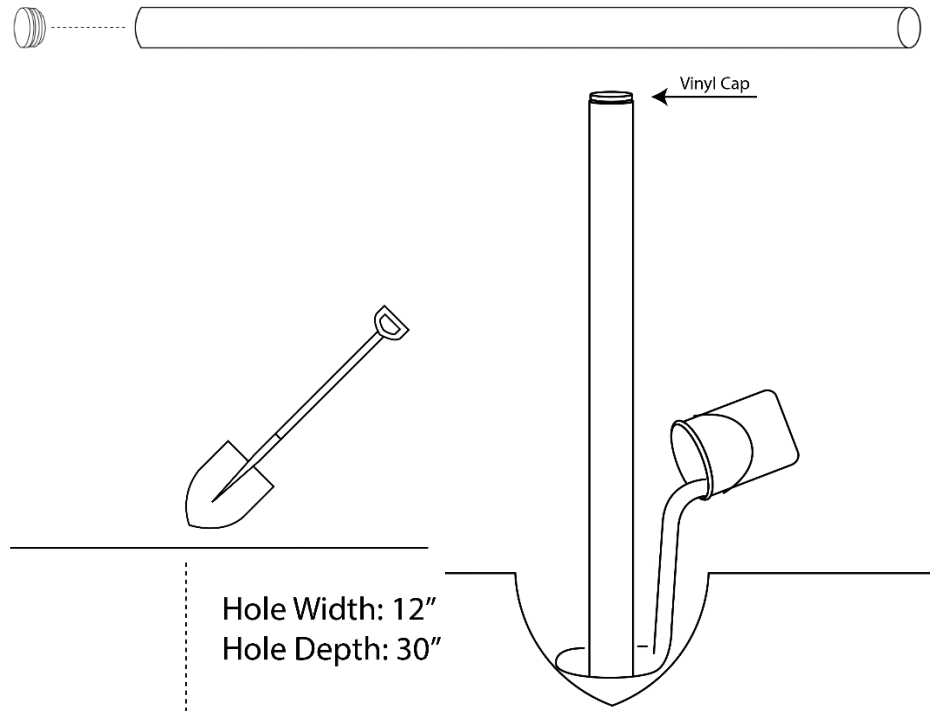
Gate Width	Distance between posts – INSIDE EDGE TO INSIDE EDGE
3' Gate	40 ¼"
4' Gate	52 ¼"
5' Gate	64 ¼"
6' Gate	76 ¼"
7' Gate	88 ¼"



2. Place the **POST CAP (N)** into each **FRAME POST (N)**. Then using a shovel or post hole digger, create a hole for the **FRAME POST (N)**. Each hole should be **12" WIDE** and **30" DEEP**. Drop the **FRAME POST (N)**, open end down, into the hole and then set with concrete. Make sure to allow the concrete to set completely before proceeding to **STEP 3**.

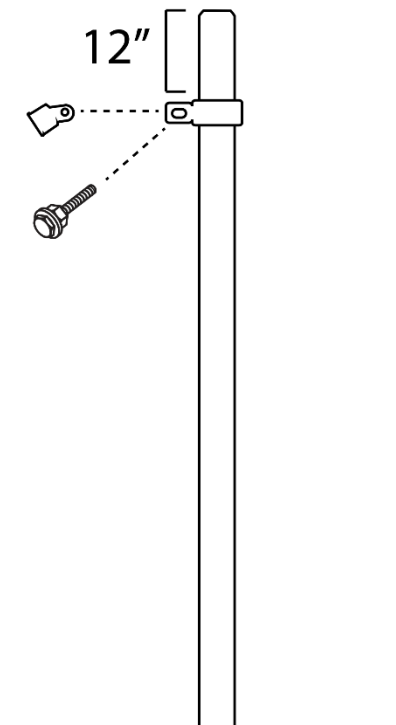
Note: It is **HIGHLY** recommended to set your posts into concrete. Setting the posts in concrete will strengthen the overall fence system and increase the longevity of the fence. Alternatively, you can use expanding post foam or backfill with rocky dirt and tamp firmly.

2.



3. Slip **BRACE BAND (A)** and **BRACE CUP (B)** over the **FRAME POST (N)** and position them approximately 12" from the top of the **FRAME POST (N)**. When attaching the **BRACE CUP (B)** to the **BRACE BAND (A)**, position the cup so that the **BRACE POST (E)** will be on the **INSIDE** of the fence line. Use **CARRIAGE BOLT (M)** to hold the **BRACE BAND (B)** and **BRACE CUP (A)** in position. Do not fully tighten. Repeat step for second **FRAME POST (N)**.

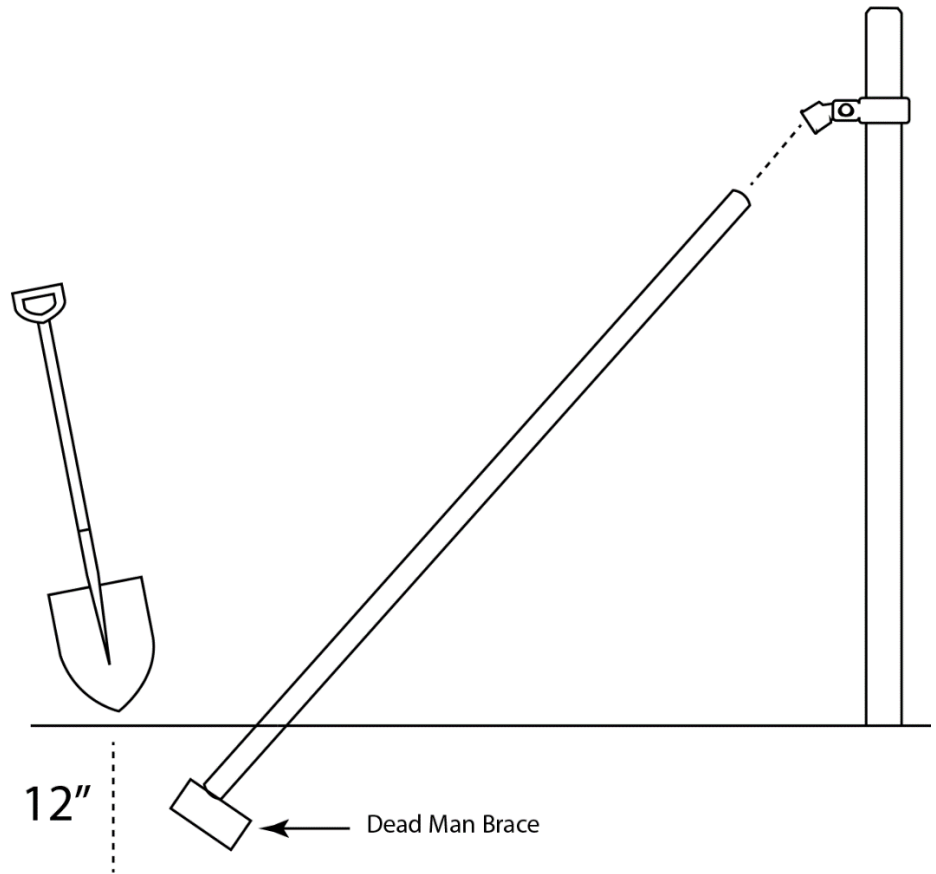
3.



4. After the band is installed, place your **BRACE POST (E)** into the **BRACE CUP (B)** just inside the fence line. At the point where the post meets the ground, you will want to dig a hole approximately, 1' deep. Set the **BRACE POST (E)** into the hole and use a dead man brace to secure the post. Repeat step for second **BRACE POST (E)**.

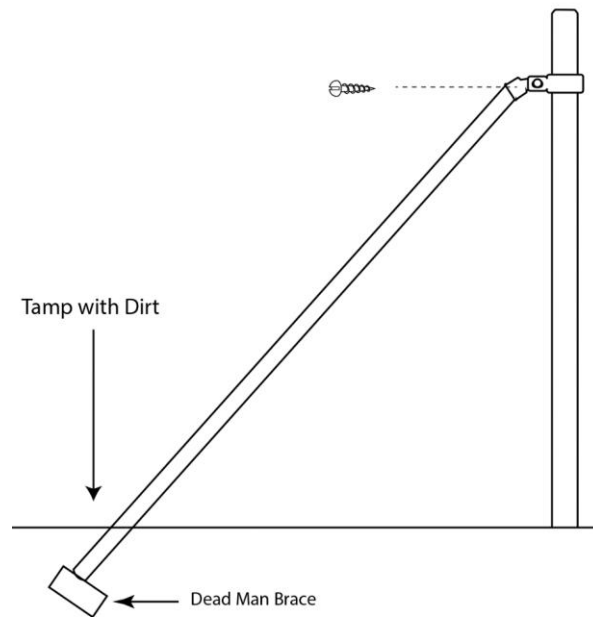
Note: A dead man brace is a brace put into the ground to hold the brace post in position. You can use a cinderblock or a large sturdy piece of wood as the dead man. Alternatively, you can cement the brace post if you choose.

4.

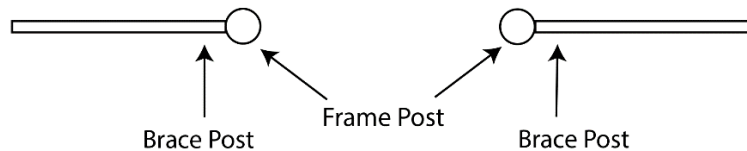


5. Once the dead man is in place, adjust your **BRACE POST (E)** so it rests tightly against the dead man. Fill the hole back up with dirt and tamp down. Secure the **BRACE POST (E)** by drilling a **SELF-TAPPING SCREW (J)** through the **BRACE CUP (B)** and **BRACE POST (E)**. Once secured, tighten the **CARRIAGE BOLT (M)** on the brace band. Repeat step for second **BRACE POST (E)**.

5.



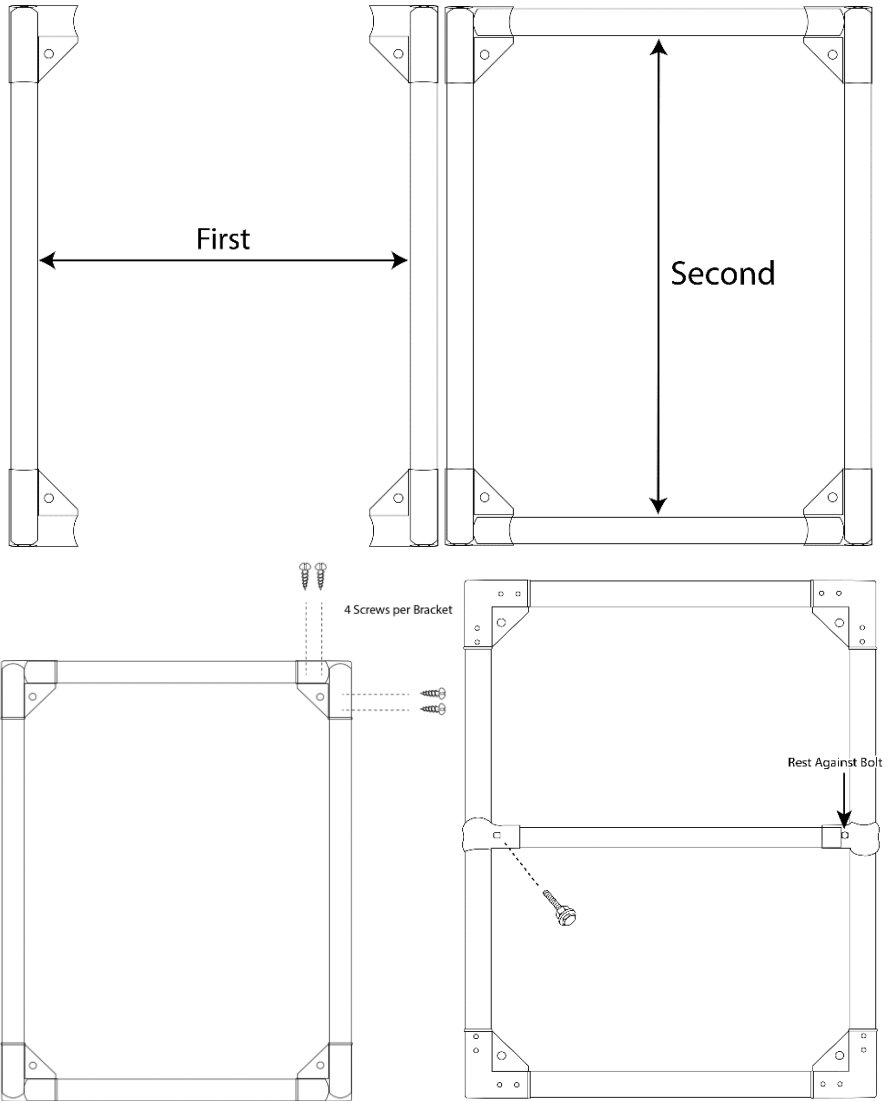
Birds Eye View



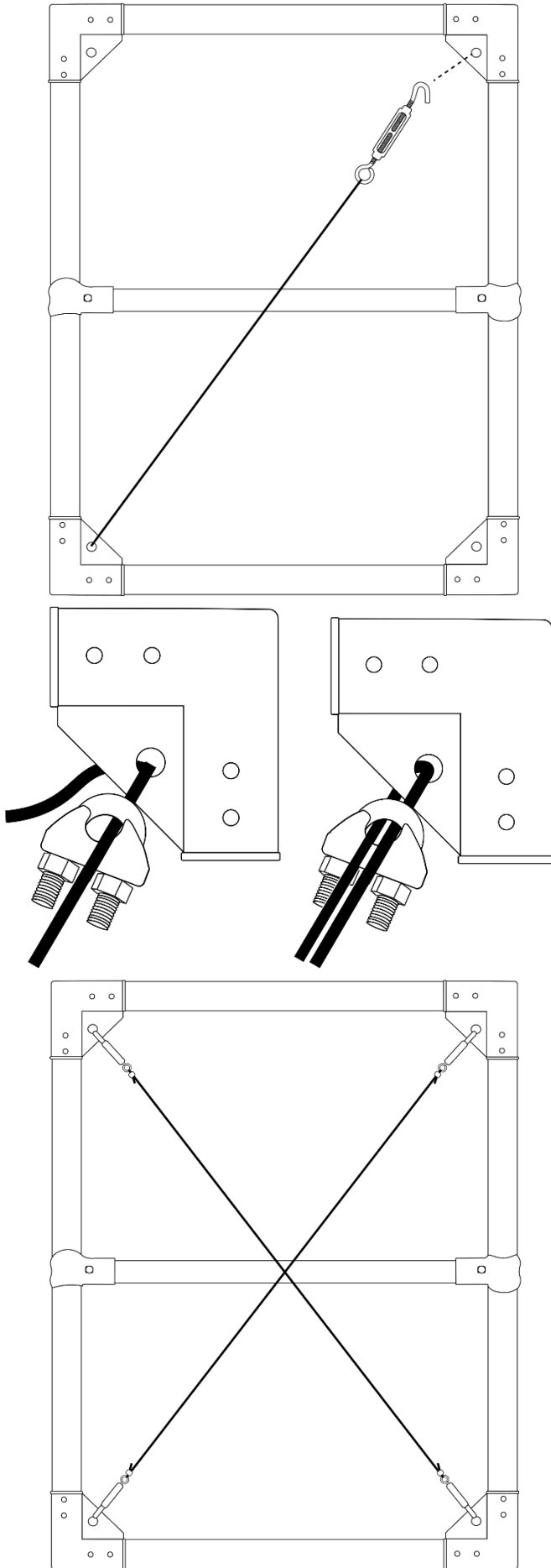
6. Insert **VERTICAL GATE DOOR POST (B)** into **CORNER ELBOW (C)**. Then slide in the **HORIZONTAL GATE DOOR POST (C)** into the **CORNER ELBOW (C)** so that it presses tightly against the **VERTICAL POST (B)**. Secure the **POSTS** inside the **CORNER ELBOWS (C)** using **SELF-TAPPING SCREWS (J)**. Finally, attach the **CENTER BAR (D)** on both sides of the **VERTICAL GATE POSTS (B)** with an **END CLAMP (D)** on either end. Secure the **END CLAMP (D)** in place with a **CARRIAGE BOLT (K)** on the **CENTER** of each **VERTICAL GATE POST (B)**.

Note: The **CARRIAGE BOLT (K)** that secures the **CENTER BAR (D)** **DOES NOT** go through the bar itself. The **CENTER BAR (D)** rests against the **CARRIAGE BOLT (K)** and secures the two pieces of the **END CLAMP (D)**.

6.



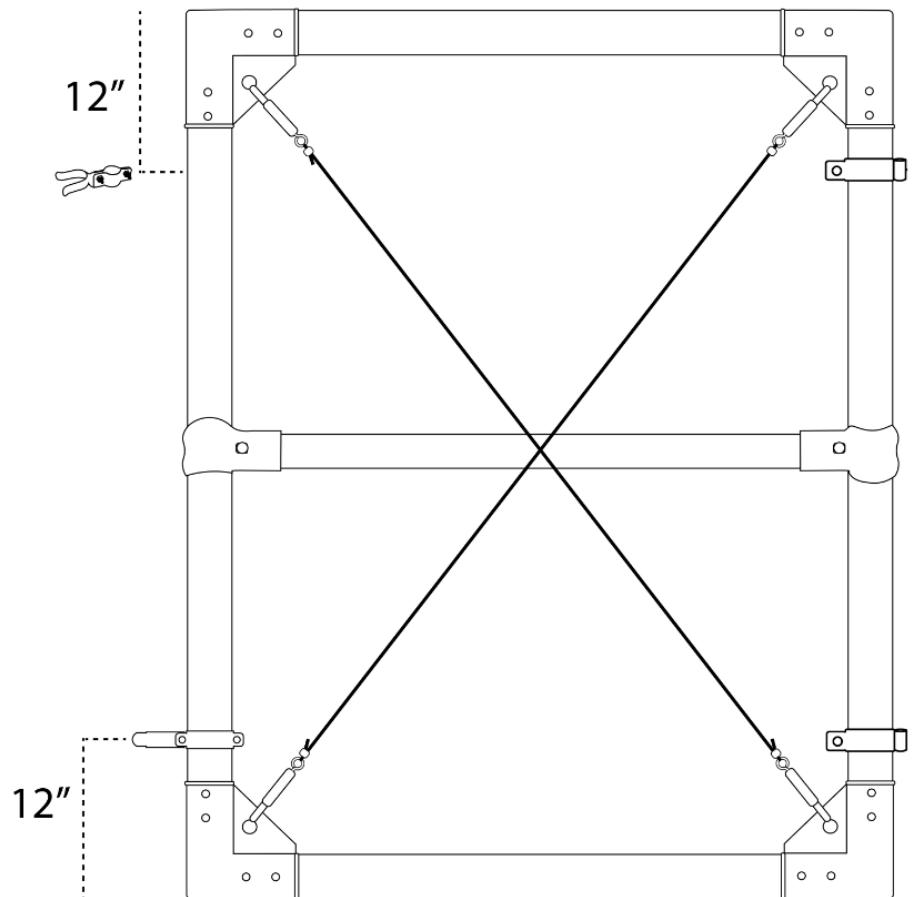
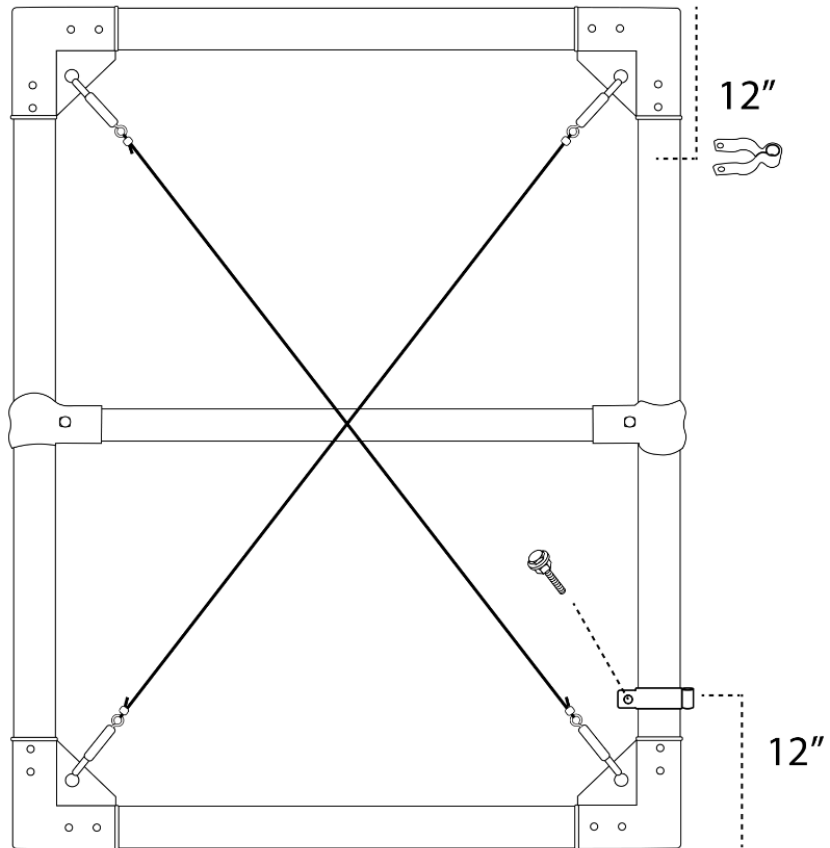
7. Open the **TURNBUCKLE (E)** by twisting both ends. Place the hook end of one **TURNBUCKLE (E)** through the hole in one top **CORNER ELBOW (C)** and stretch the cable diagonally to the hole in the bottom **CORNER ELBOW (C)**. Pass the cable through the **CONNECTION CLIP (I)** and then through the hole in the **CORNER ELBOW (C)**. Pass the end of the cable through the **CONNECTION CLIP (I)** again. Position the **CONNECTION CLIP (I)** close to the **CORNER ELBOW (C)** and tighten using the small nuts. Repeat on the opposite side creating an "X" across the gate. Evenly tighten the **TURNBUCKLES (E)** on each side to keep the gate square.



8. On one side of the newly assembled gate door, measure **12"** from the **TOP** and **12"** from the **BOTTOM** of the door. Attach the **FEMALE HINGE (G)** at these marked points with a **CARRIAGE BOLT (L)**. On the opposite side of the gate door, attach the **FORK LATCH (H)** at the same height as the **FEMALE HINGES (G)**; **12"** from the **TOP** and **12"** from the **BOTTOM**.

Note: You can attach the hinges and latches to either side of the door frame to accommodate which way it will open in the system.

8.



9. Attach the **MALE HINGES (F)** to one side of the **FRAME POST (N)** and secure them with a **CARRIAGE BOLT (L)**. Do not tighten the bolts completely. Position the **GATE DOOR** on the **INSIDE** of the **FRAME POSTS (N)** at the desired height, then slide the **MALE HINGES (F)** up into the **FEMALE HINGES (G)** to attach the gate. Once positioned, you can tighten the **CARRIAGE BOLTS (L)** of the **MALE HINGES (F)**. Finally, cover the entire **GATE DOOR** with your fence mesh (**NOT INCLUDED**) and fasten the mesh to the **GATE DOOR** using **SELF-LOCKING TIES (O)**. Trim excess material as needed.

Note: You do not need a tie for every square on the mesh. We recommend 1 tie for every 1' along the pipe of the gate door.

