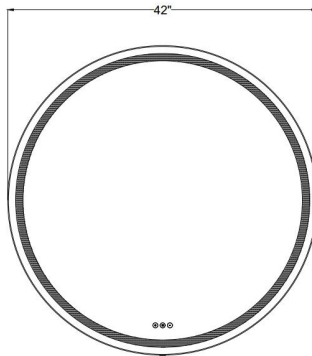


JOB NAME:

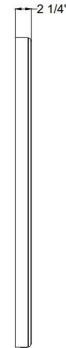
DATE:

TYPE:

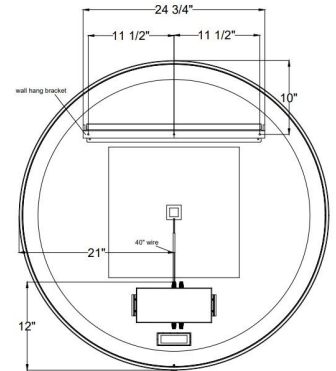
COMMENTS:



FRONT VIEW



RIGHT SIDE



REAR VIEW

LIGHT INFORMATION

Light Type	Integrated LED
CRI	90
Delivered Lumens	1136
Color Temperature	3000K-6400K
LED Lifespan (L70)	52000
Light Direction	Ambient
Dimming Method	Touch Switch
Current Type	DC
Input Voltage	120
Total Wattage	81

DIMENSIONS & WEIGHT

Diameter (In)	42
Ext (In)	2.13
Weight (Lbs)	37.47

INSTALLATION

Mounting Type	J-Box
Rating	Damp
Hanging Support Type	Z-Bar

PRODUCT FINISH

Brushed Black

PRODUCT FEATURES

Front & Backlit/Nightlight

CERTIFICATIONS & COMPLIANCE

