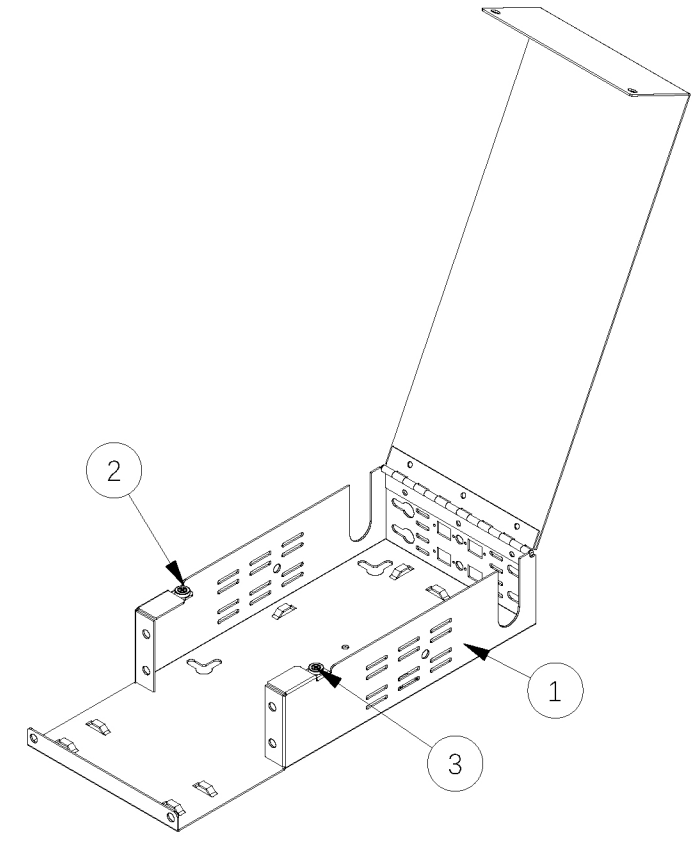
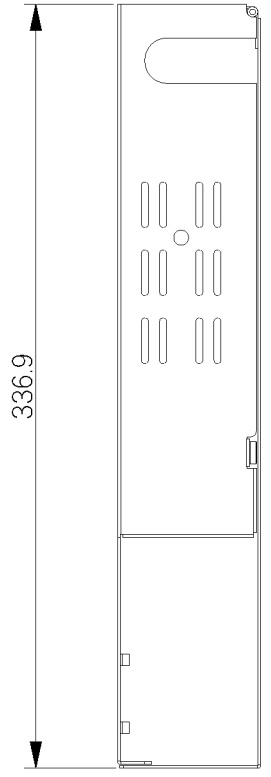

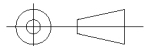


REV	ECN NO.	CHANGE CONTENT	SIGNATURE	DATE
A1		First Issued		20230713



Note:  
 1.Material: SPCC  
 2.Finish:Black Powder Coat.

		SIGNATURE	DATE			
DRAWN			2022-09-06	MAT'L	PRODUCT NO.	FPP-02-W-18
CHK'D			2022-09-06	UNITS	PRODUCT NAME	Choice space saving wall mount fiber patch panel, will accept 2 adaptors panels
PROCESS			2022-09-06	SCALE	DRAWING NO.	FPP-02-W-18
APPV'D			2022-09-06	TYPE OF PROJECTION		SHEET 1 OF 1
					REV	A1