

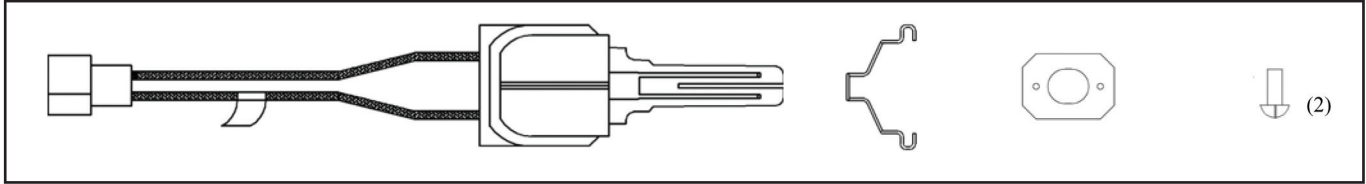


# SKIT03033

## Replaces KIT03033

### Igniter Installation Instructions

#### Kit Contents



#### Installation Instructions

Read these instructions carefully. Failure to follow them could damage the product or cause a hazardous condition.

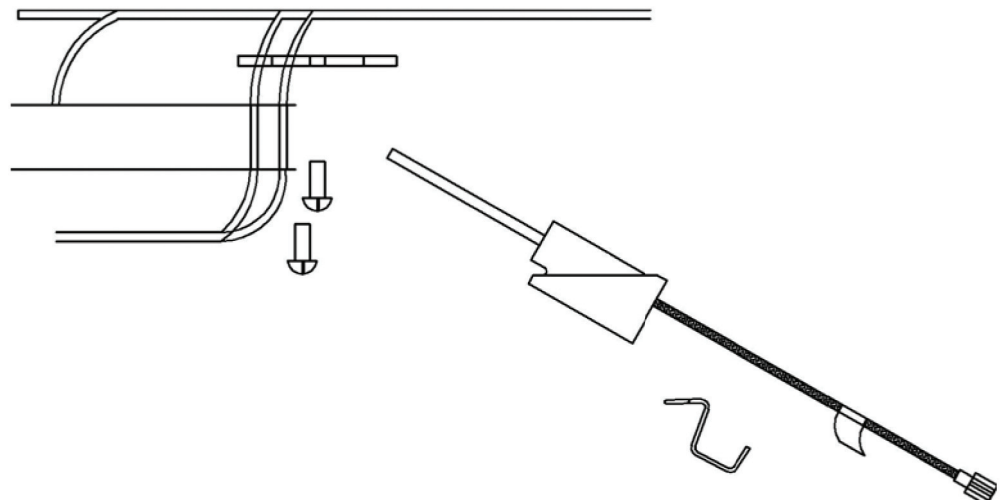


#### **WARNING!**

**Fire or Explosion or Electrical Shock Hazard.**

**Turn OFF electric power and disconnect appliance before servicing. Have a qualified service technician replace the igniter. Failure to do so can result in severe injury, death or property damage.**

1. Turn off external electrical power supply to the appliance.
2. Review the location of the installed igniter in the appliance prior to removal; this will help confirm the location of the new igniter for installation. Disconnect the installed igniter from the appliance.
3. Place gasket over igniter opening.
4. Install screws but do not tighten all the way. They will hold the spring retainer.
5. Insert igniter in the opening.
6. Secure the replacement igniter with the spring retainer. Retainer will hold the screws.
7. Tighten the screws.



**SEALED UNIT PARTS CO., INC.,**  
PO Box 21, 2230 Landmark Place  
Allenwood, NJ 08720 USA  
[www.supco.com](http://www.supco.com)