

**FEATURES:**

1. Set-screw connectors that will accept either one or two wires.
2. Made of 6061T-6 aluminum alloy
3. Electro-tin plated for low contact resistance.
4. For use with copper or aluminum conductors.

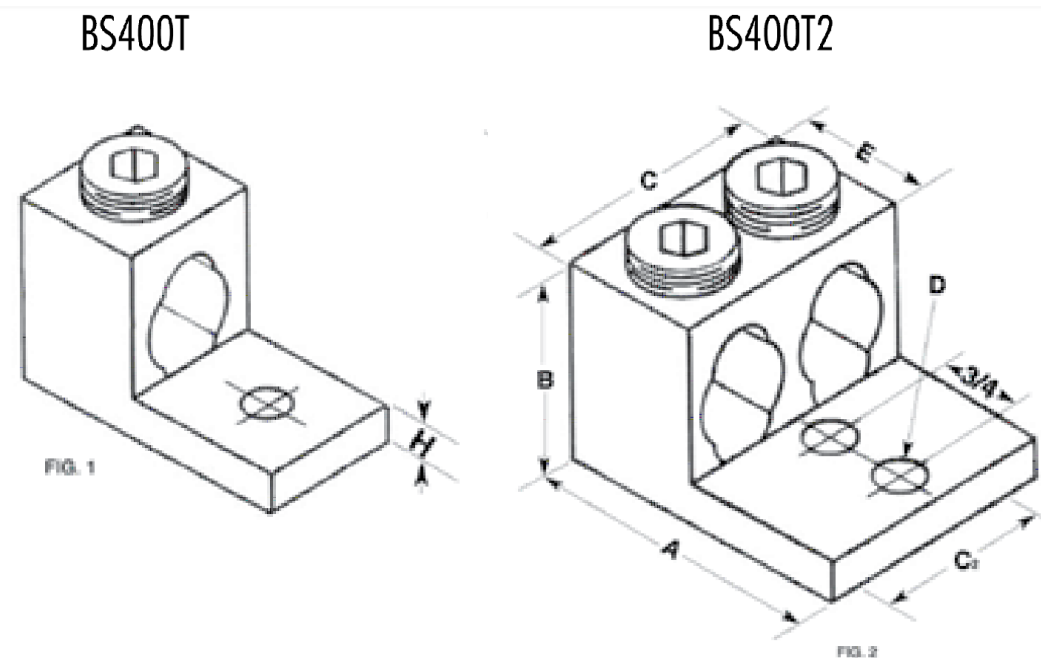
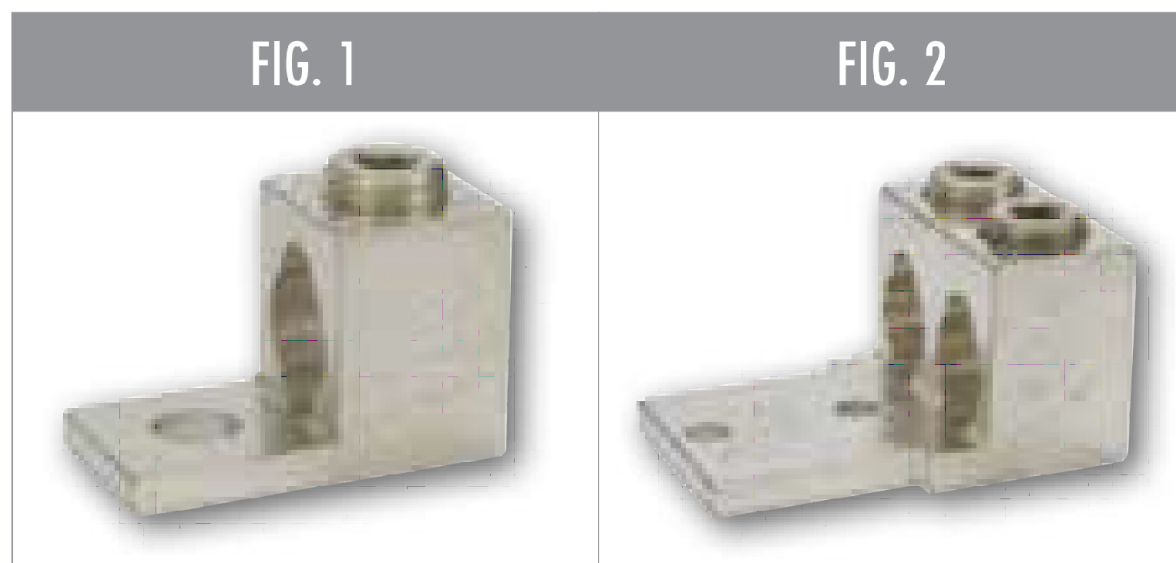
**SPECIFICATIONS:**

1. CSA 70142.
2. UL Listed Wire Connector
3. UL486A/B Listed. AL9CU.
4. Temperature Rating: 90 °C.
5. Voltage: 600V max. (2000V ma. per UL486B).

**POLARIS®**

PROGRAM:	SOLIDWORKS
UPDATED:	09/2024
SALES REV:	A
SIZE:	B (11x17)

# BS Series: Aluminum, Dual Rated, Dual Range Lugs



CAT. NO.	FIG. NO.	WIRE RANGE	MAX TORQUE VAULE (IN./LBS.)	HEX WRENCH SIZE (IN.)	MTG. BOLT SIZE (IN.)	LENGTH (A) (IN.)	HEIGHT (B) (IN.)	WIDTH (C) (IN.)	MTG. HOLE DIA. (D)	TANG LENGTH (F) (IN.)	TANG THICKNES S (H) (IN.)
BS400T	1	(1) 600 MCM-4 AWG	500	3/8	0.562	2.810	1.810	1.380	0.625	0.725	0.312
BS400T	1	(2) 250 MCM-1/0 AWG	500	3/8	0.562	2.810	1.810	1.380	0.625	0.725	0.312
BS400T2	2	(2) 250 MCM-1/0 AWG	500	3/8	0.250	3.812	2.000	2.468	0.281	0.325	0.375
BS400T2	2	(4) 250 MCM-1/0 AWG	500	3/8	0.250	3.812	2.000	2.468	0.281	0.325	0.375