

# Public Safety BDA

Dual Band

**WILSON**  
CONNECTIVITY

A Dual Band BDA system that supports public safety wireless services indoors

- Supports 700mhz/800mhz
- PS-LTE (first-net™) support
- P25-Phase2 TDMA support
- Max downlink power: 37dbm (5 watt) per band
- Max uplink power: 27dbm (5 watt) per band
- 32 channels narrow-band digitalized filter per band
- 4 channels wide-band digitalized filter per band
- Input overdrive protection
- Output auto gain control (AGC)
- Product meets UL2524



## Mechanical Specifications

<b>Model</b>	770001
<b>Color</b>	Powder Coat Matte Red
<b>Enclosure</b>	IP66 / NEMA4 / Natural Convection
<b>Dimensions</b>	14.88 x 19.48 x 7.0 (in.) / 378 x 495 x 178 (mm)
<b>Weight</b>	66.13 (lbs.) / 30 (kg) (without bracket)
<b>Mounting</b>	Wall Mount
<b>Donor / Service Port</b>	4.3-10 Female (antenna)
<b>Tx / Rx Port</b>	4.3-10 Female (DAS)
<b>Modem Port</b>	SMA Female (for LTE Modem)
<b>Ethernet Connector</b>	RJ-45
<b>Dry Contacts Connector</b>	BR-762C
<b>AC Input Connector</b>	DG126-5.0-05P-14
<b>Battery Connector</b>	DG126-5.0-03P-14

Website: [wilsonconnectivity.com](http://wilsonconnectivity.com) Email: [support@wilsonelectronics.com](mailto:support@wilsonelectronics.com) Customer Support: +1 866 294 1660 Mon - Sat

# Public Safety BDA

UL2524 Certified

**WILSON**  
CONNECTIVITY

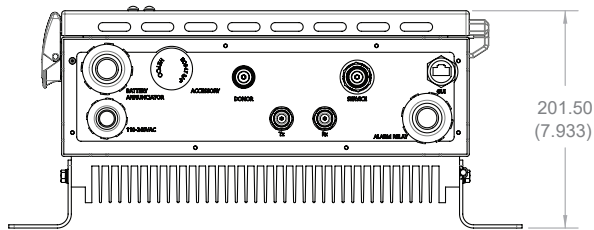
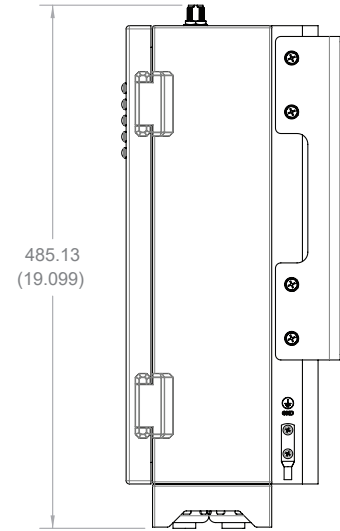
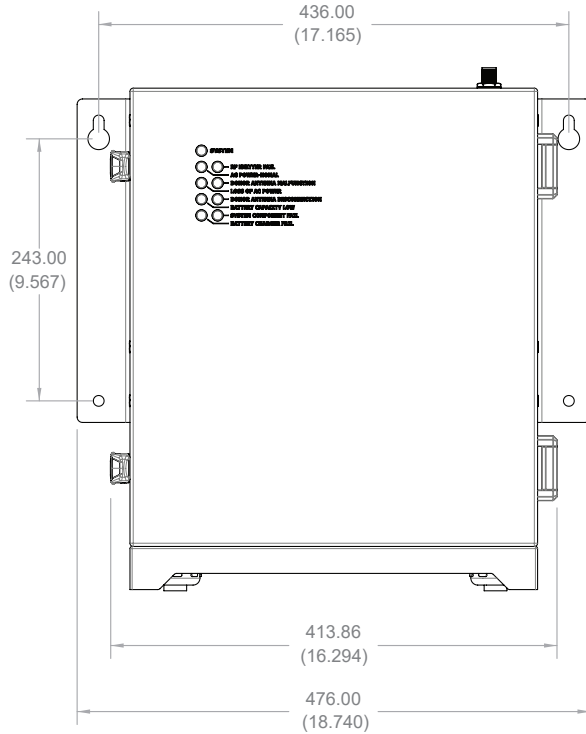
Detailed Specifications	
Input Dynamic Range Downlink	-53dBm ~ +7dBm (downlink) -53dBm ~ +7dBm (uplink)
Input Dynamic Range Uplink	-53dBm ~ +7dBm
User Settable Gain Range	60dB ~ 90dB (downlink) 50dB ~ 80dB (uplink)
Gain Adjustment Range	30dB / 1dB steps
Gain Adjust Accuracy	±1dB
Input AGC Dynamic Range	60dB
Absolute Max RF Input Power without Damage	+10dBm
Max RF Input Power with Normal Operation	+7dBm
Noise figure	- (downlink) < 6dB (uplink)
Pass Band Ripple	3dB (max)
EVM & LTE	≤ 4.0% @LTE
Frequency Stability	≤ ±0.01ppm
Squelch Threshold	-90dBm ~ -60dBm
VSWR	≤ 1.5:1
Spurious Emission	≤ -13dBm (FCC Title 47 Part 90.219)
Intermodulation	≤ -13dBm
Characteristic Impedance	50Ω
Coupling Port Output	-30dBm ±1.5dB
Rated AC Power Input	110 ~ 240VAC, 50/60Hz
Rated DC Battery Input	24VDC (12VDC Battery * 2)
Frequency Stability	< 250W

Website: [wilsonconnectivity.com](http://wilsonconnectivity.com) Email: [support@wilsonelectronics.com](mailto:support@wilsonelectronics.com) Customer Support: +1 866 294 1660 Mon - Sat

# Public Safety BDA

UL2524 Certified

**WILSON**  
CONNECTIVITY



(Preliminary)

Website: [wilsonconnectivity.com](http://wilsonconnectivity.com) Email: [support@wilsonelectronics.com](mailto:support@wilsonelectronics.com) Customer Support: +1 866 294 1660 Mon - Sat

PublicSafetyBDA\_WilsonConnectivity\_SpecSheet\_03.20.25