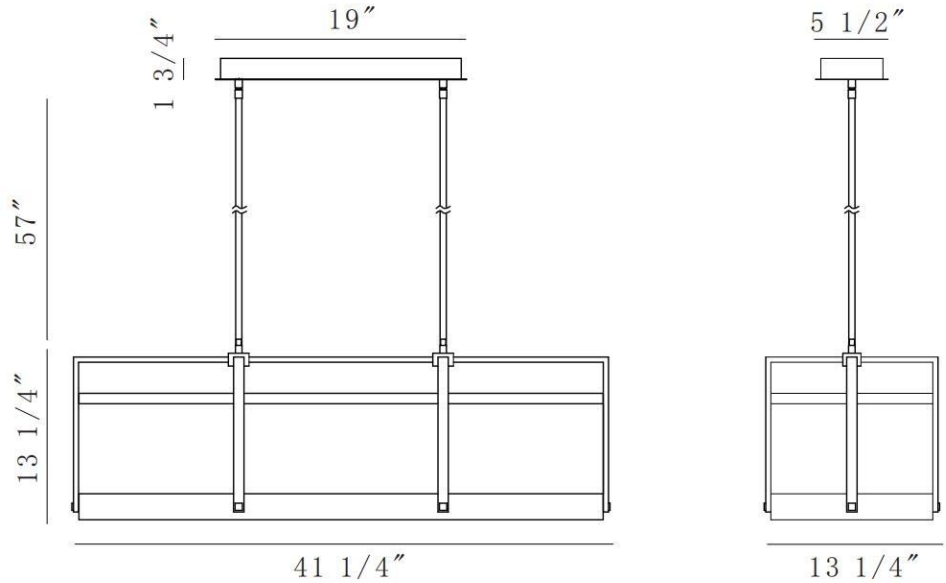


JOB NAME:

DATE:

TYPE:

COMMENTS:



LIGHT INFORMATION

| | |
|--------------------|----------------|
| Light Type | Integrated LED |
| CRI | 90 |
| Delivered Lumens | 1560 |
| Color Temperature | 3500K |
| LED Lifespan (L70) | 20000 |
| Light Direction | Ambient |
| Dimming Method | Triac/Elv |
| Current Type | DC |
| Input Voltage | 120 |
| Total Wattage | 72 |

DIMENSIONS & WEIGHT

| | |
|-----------------|-------|
| Length (In) | 41.25 |
| Width (In) | 13.25 |
| Height (In) | 13.25 |
| Min Height (In) | 17.75 |
| Max Height (In) | 71.75 |
| Weight (Lbs) | 22.26 |

INSTALLATION

| | |
|----------------------|-------|
| Mounting Type | J-Box |
| Rating | Dry |
| Hanging Support Type | Rod |

PRODUCT FINISH

Matte Black

SHADE FINISH

Rectangle Clear Acrylic

CERTIFICATIONS & COMPLIANCE

