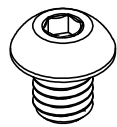
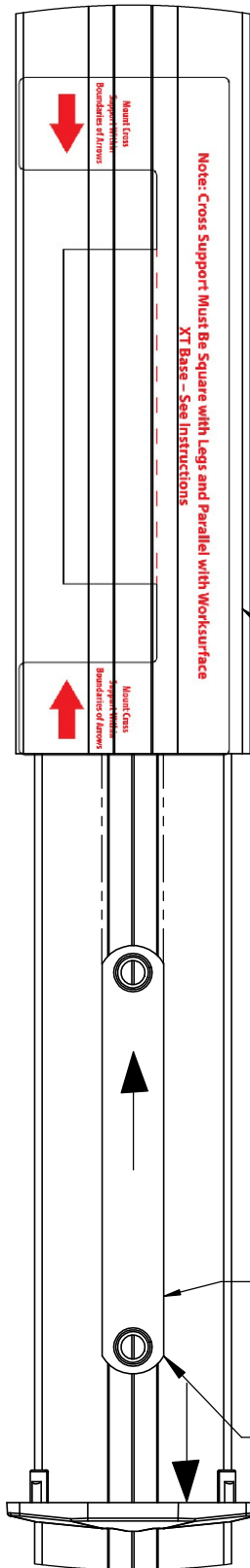




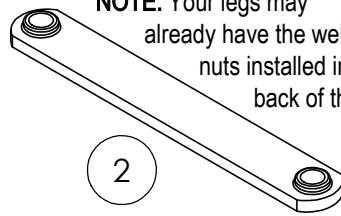
XT Optional Cross Support Desk Side

Warranty: raproducts.com/warranty



1

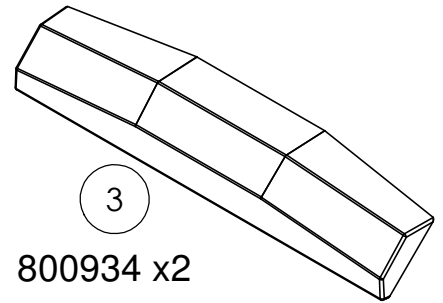
53638 x4



2

52963 x2

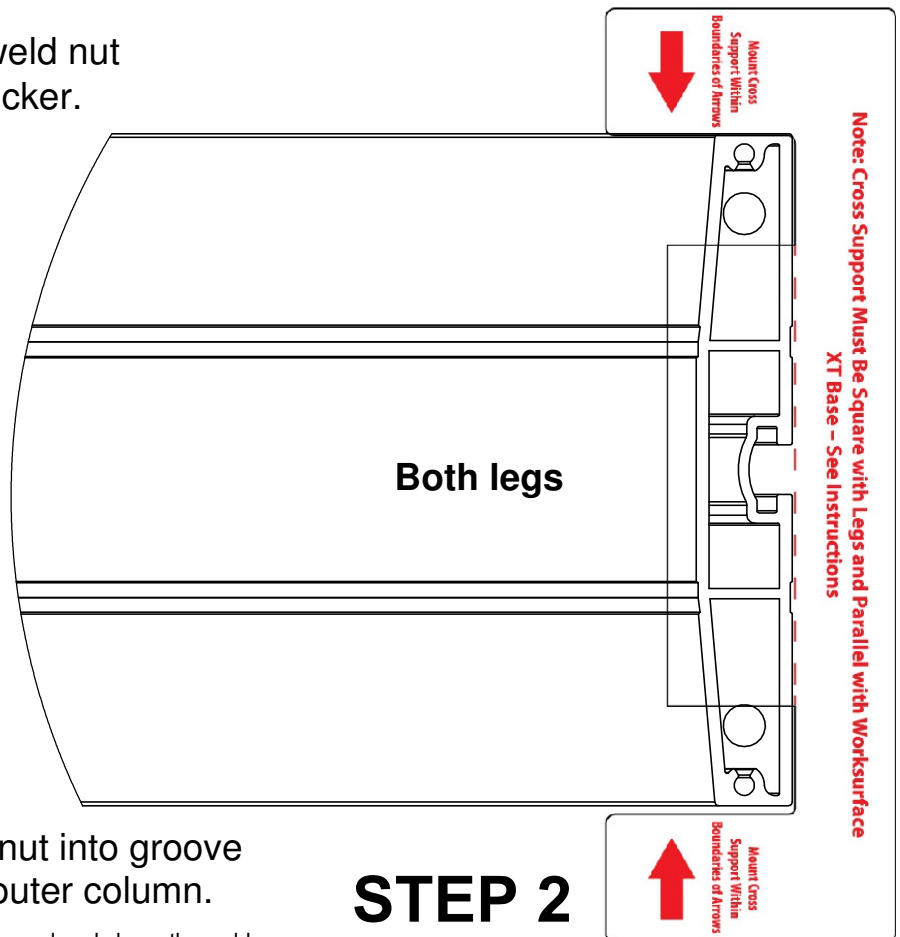
NOTE: Your legs may already have the weld nuts installed into the back of the legs.



3

800934 x2

STEP 1



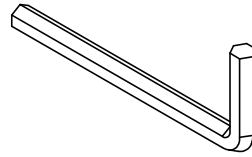


Power Driver with Adjustable Torque

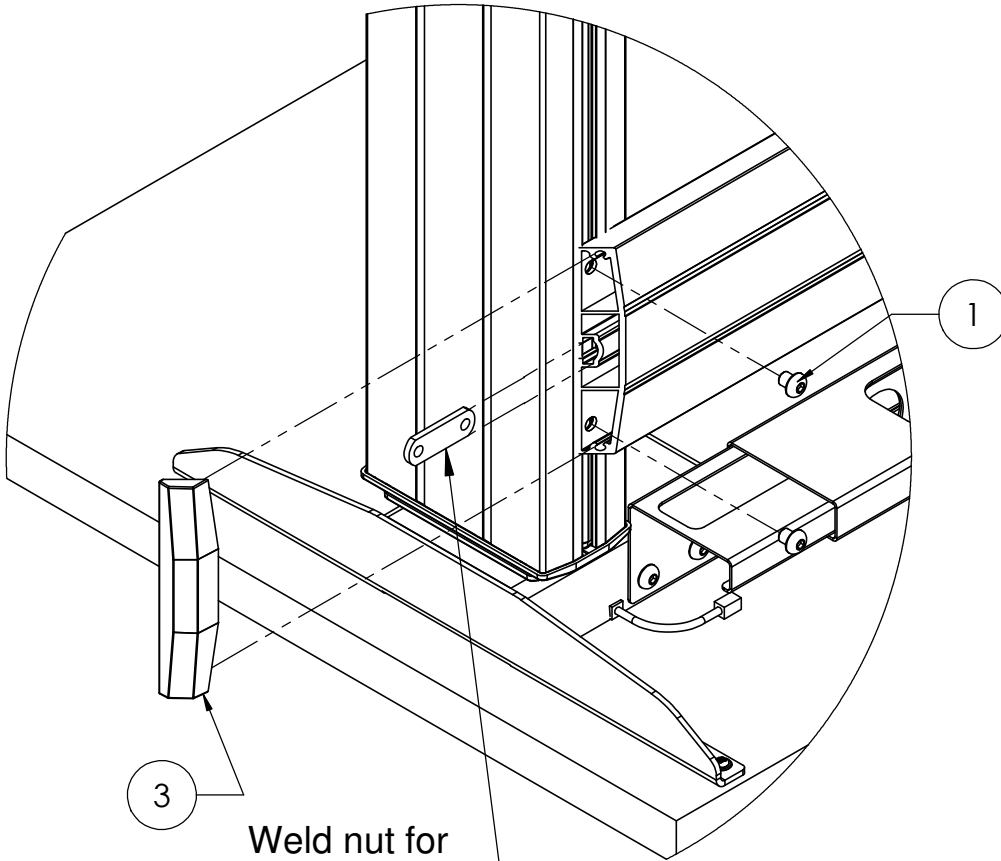


3/16" Hex Head Driver Bit

or



3/16" Allen Wrench



Weld nut for return cross support only.

DETAIL A

STEP 3

