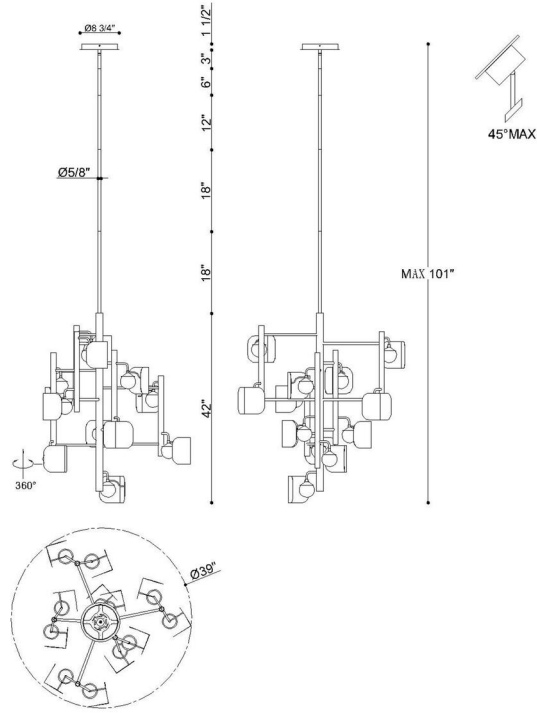


JOB NAME:

DATE:

TYPE:

COMMENTS:



## LIGHT INFORMATION

Light Type	Integrated LED
CRI	90
Delivered Lumens	2615
Color Temperature	3000K
LED Lifespan (L70)	52000
Number of Lights	12
Light Direction	Ambient
Dimming Method	Triac/Elv
Current Type	DC
Input Voltage	120-277
Total Wattage	60

## DIMENSIONS & WEIGHT

Height (In)	42
Min Height (In)	46.5
Max Height (In)	100.5
Diameter (In)	36
Weight (Lbs)	35.93

## INSTALLATION

Mounting Type	J-Box
Rating	Dry
Hanging Support Type	Rod

## PRODUCT FINISH

Gold-Black Mix

## SHADE FINISH

White Glass

## CERTIFICATIONS & COMPLIANCE

