

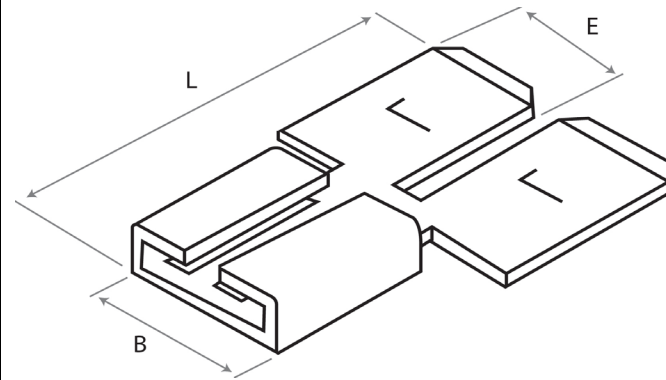
Male / Female Adaptor

Drawn - SD

Approved - KM

Material - Brass

Title: Male / Female Adaptor



Part Number	Electrical Rating Max	E	L	B
DMT250-3	105C / 600V	0.248	0.811	0.259
DMT250-3-BULK	105C / 600V	0.248	0.811	0.259