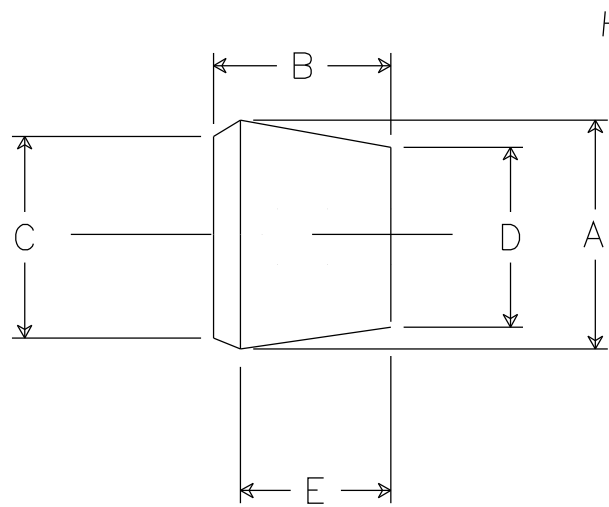
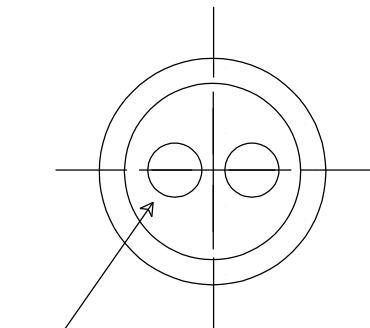


DIMENSIONS

A	1.125 *
B	0.875 *
C	1.031
D	0.875
E	0.750



HOLE SIZE



NOTE: TWO HOLES $.265 \pm .010$ *
LOCATED ON A $.380$ DIA CIRCLE

NOTES:

1. ANGULAR TOLERANCE $\pm 1/2$ DEGREE
2. FLASH TO BE HELD TO A MINIMUM AND MAY NOT WEBB ACROSS HOLE DIA.
3. 1D/OD CONCENTRICITY WITHIN $.020$
4. ALL OTHER DIM $\pm .015$

REV. A 5-30-00 ADD NOTE ON TOLERANCE

REMKE INDUSTRIES
Wheeling, Illinois 60090

SCALE: APPROX FULL
 MATERIAL: NEOPRENE 50-60 DUROMETER
 FINISH: NATURAL BLACK
 PART NAME: BUSHING
 PART NUMBER: SRB-201764-2
 DRAWING DATE: 970923