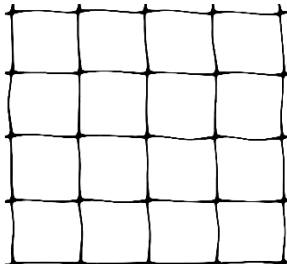

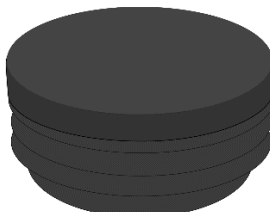

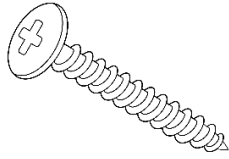
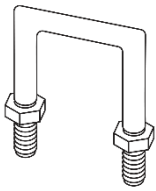
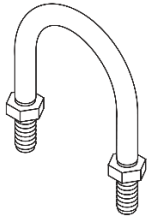


Cat Fence Extension Kit Installation Instructions

HARDWARE PARTS

<p>A</p> <p>QTY: 1 roll per 100 ft</p>  <p>Poly Fence (See below for measurements)</p>	<p>B</p> <p>QTY: 1 pk per 100 ft</p>  <p>8" High Strength Nylon Self-Locking Ties – 100pk SKU: DE2854</p>	<p>C</p> <p>QTY: 12 per 100 ft</p>  <p>Black Vinyl Cap Insert for 1 3/8" Post SKU: DE8088</p>	<p>D</p> <p>QTY: 12 per 100 ft</p>  <p>Cat Fence Extension Post (See below for measurements)</p>
--	---	--	--

Hardware for WOOD/SPLIT RAIL/VINYL	Hardware for DECORATIVE METAL	Hardware for CHAINLINK
<p>E</p> <p>QTY: 48 per 100 ft</p>  <p>Truss Head Screw #10 x 1.25"</p>	<p>E</p> <p>QTY: 24 per 100 ft</p>  <p>Square U-Bolt 5/16" x 2" x 3"</p>	<p>E</p> <p>QTY: 24 per 100 ft</p>  <p>U-Bolt Round 5/16" x 2" x 3"</p>

Recommended Tools (not included)

Cutter Puller Tool for Self-Locking Ties, SKU: DE2864

Power Drill with Phillips Bit

Socket Wrench 5/16" or Adjustable wrenches

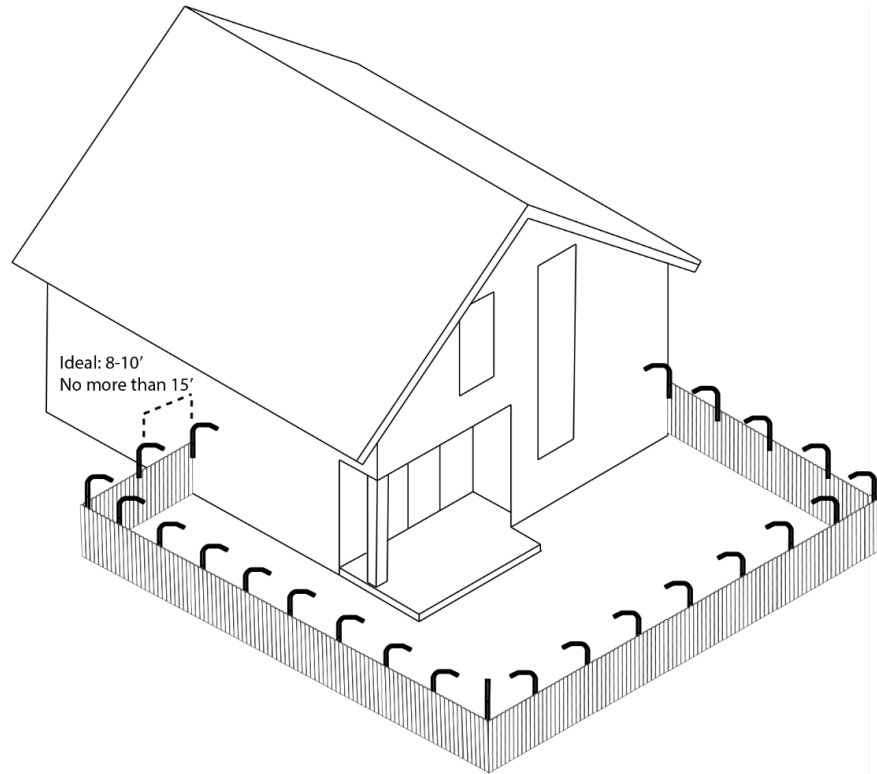
	1' Extension Kit			3' Extension Kit		
	Qty	Pipe Measurement	SKU	Qty	Pipe Measurement	SKU
Fence Mesh (A)	1 roll per 100 ft	4' x 100' Heavy Duty Poly Fence	C804100	1 roll per 100 ft	4' x 100' Heavy Duty Poly Fence	C804100
Extension Post (D)	12 per 100 ft	14" Cat Fence Extender w/ Mounting Plate	DE8163-14	12 per 100 ft	36" Cat Fence Extender w/ Mounting Plate	DE8163-36

Note: If you selected the optional Gate Kit, you receive two (2) extra **FENCE EXTENSION POST (D)** and corresponding amount of **HARDWARE (E)** based off fence type: eight (8) screws for **WOOD/SPLIT RAIL/VINYL** or four (4) U-bolts for **DECORATIVE METAL/CHAINLINK**.

Cat Fence Extension Kit Installation Instructions

1. Determine the spacing of your **EXTENSION POSTS (D)**. We recommend spacing 8'-10' feet apart but no more than 15' apart.

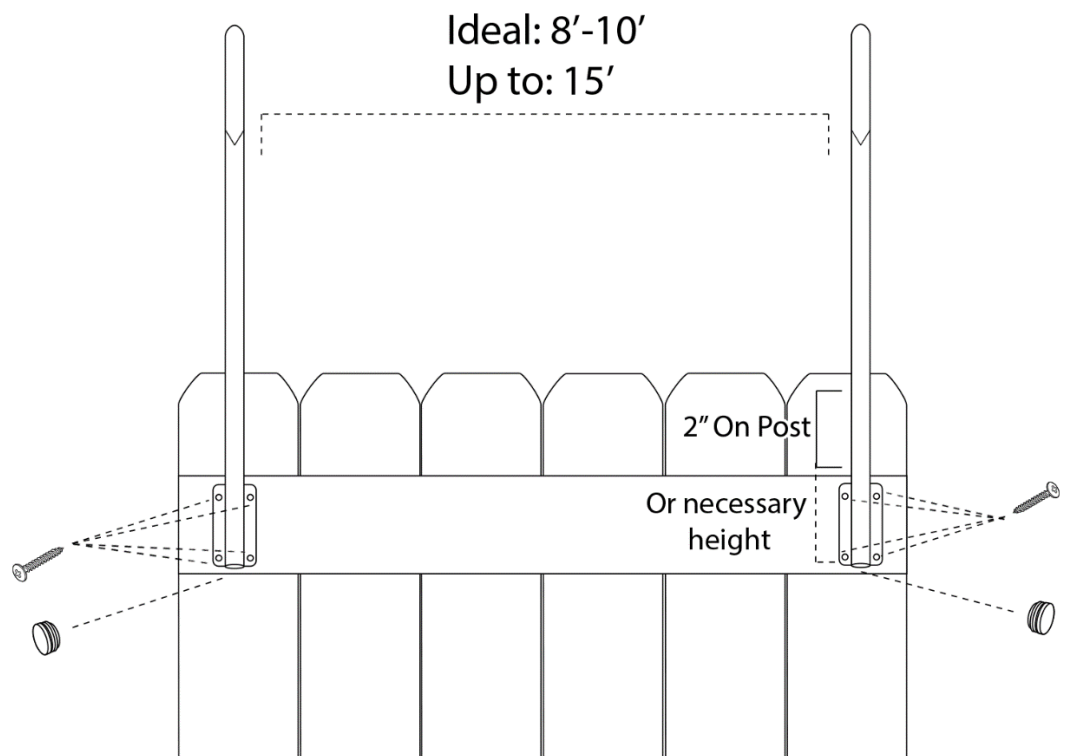
1.



2. On the **INSIDE** of your fence line, attach the **EXTENSION POSTS (D)** to your existing fence posts using the **HARDWARE (E)** designated for your fence type. Mount the plate of the **EXTENSION POST (D)** at least 2" below the top of your existing post. Once attached insert the **VINYL CAP (C)** into the open bottom of extension post.

FOR WOOD/SPLIT RAIL/VINYL

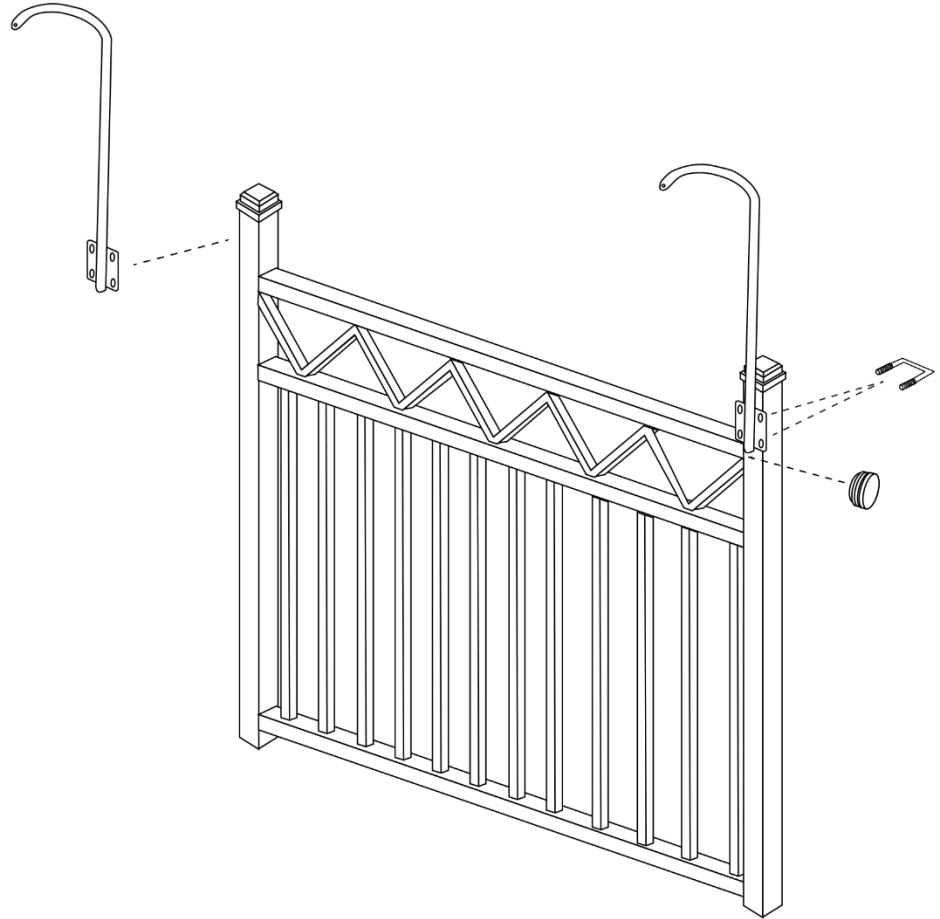
2.



Note: Hardware will be dependent on which kit you purchased. You can mount the **EXTENSION POST (D)** at different heights to accommodate your specific needs.

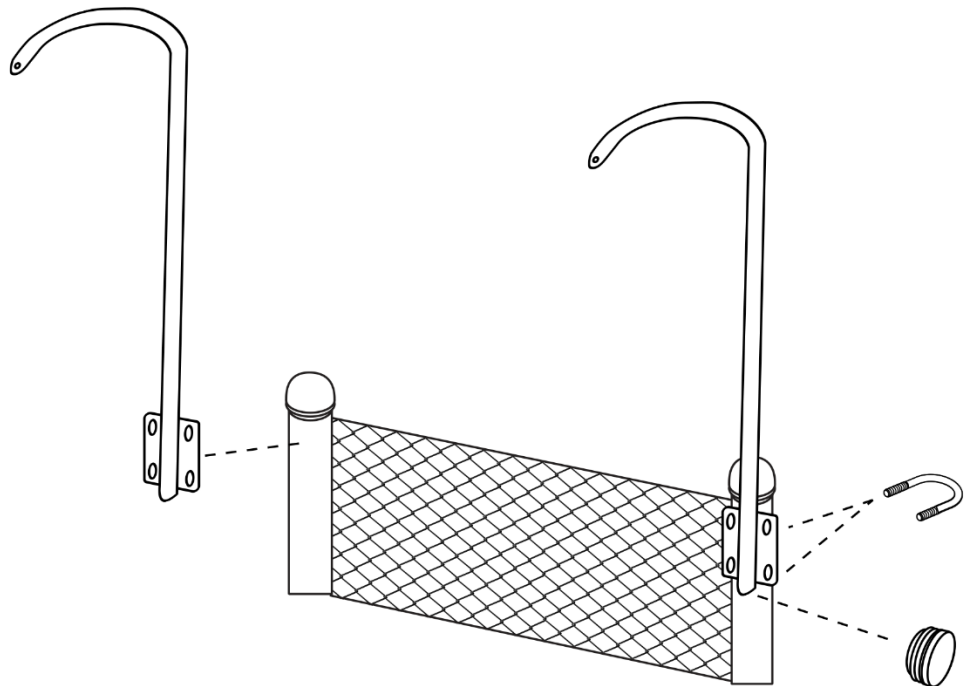
FOR DECORATIVE METAL

2.



FOR CHAINLINK

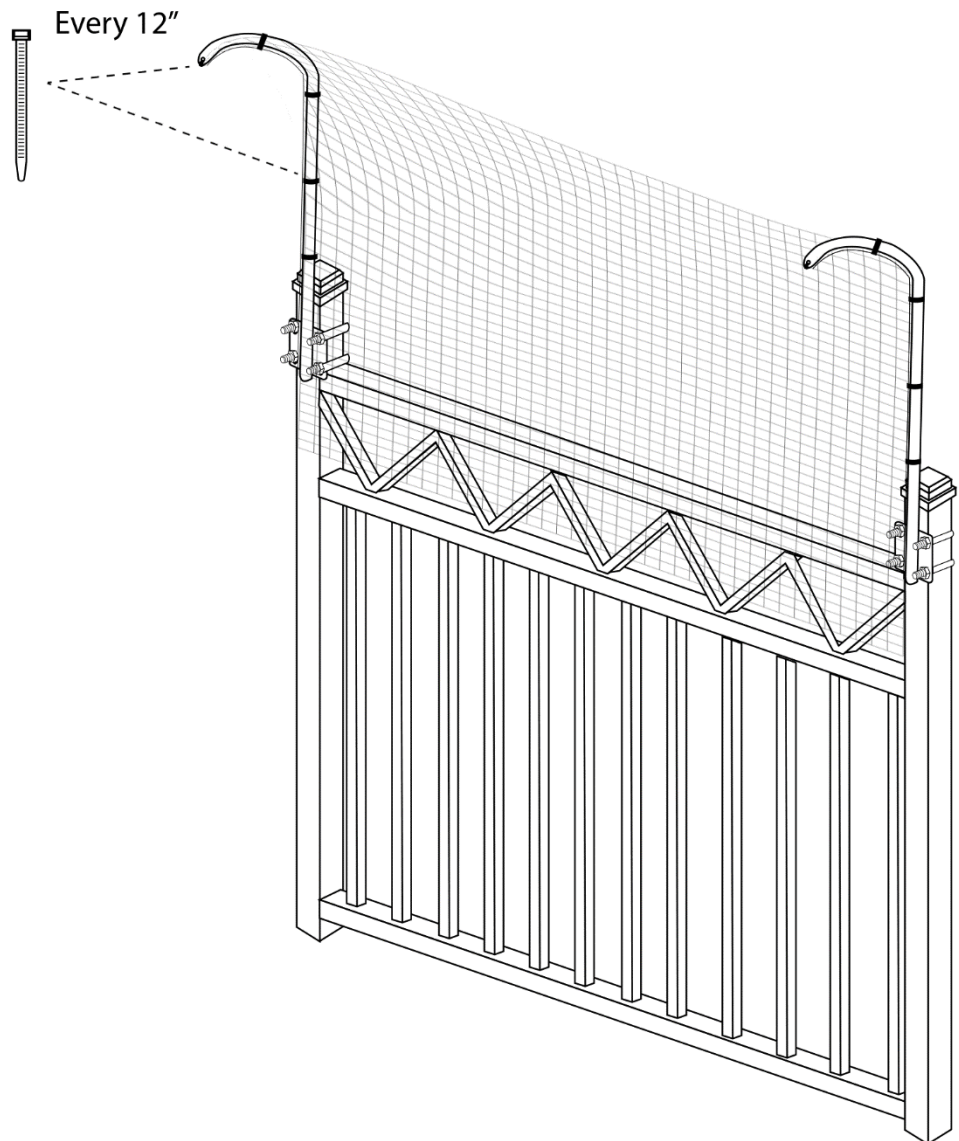
2.



3. On the **INSIDE** of your fence line, starting at the welded tip of the first **EXTENSION POST (D)**, attach the **FENCE MESH (A)** to each **EXTENSION POST (D)** every 12" along the post using the **SELF-LOCKING TIES (B)**. Repeat this step for all remaining **EXTENSION POSTS (D)**.

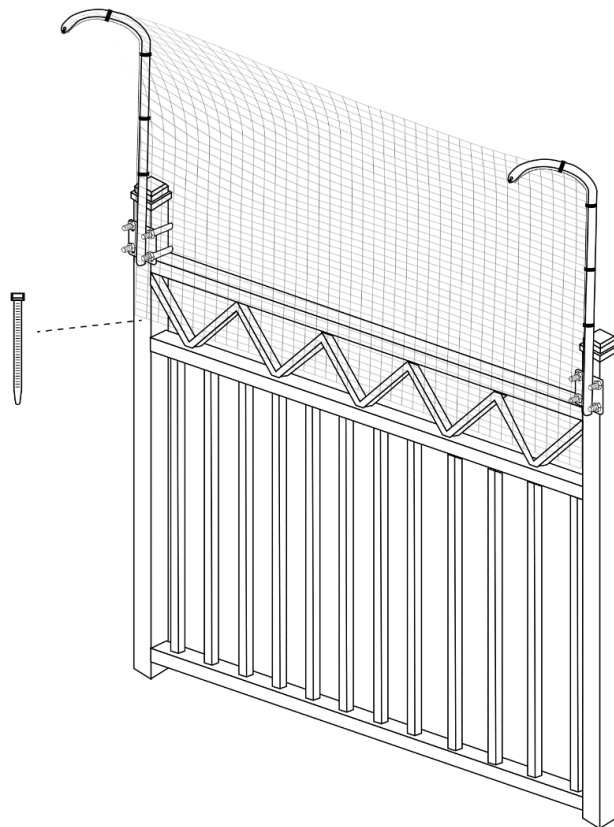
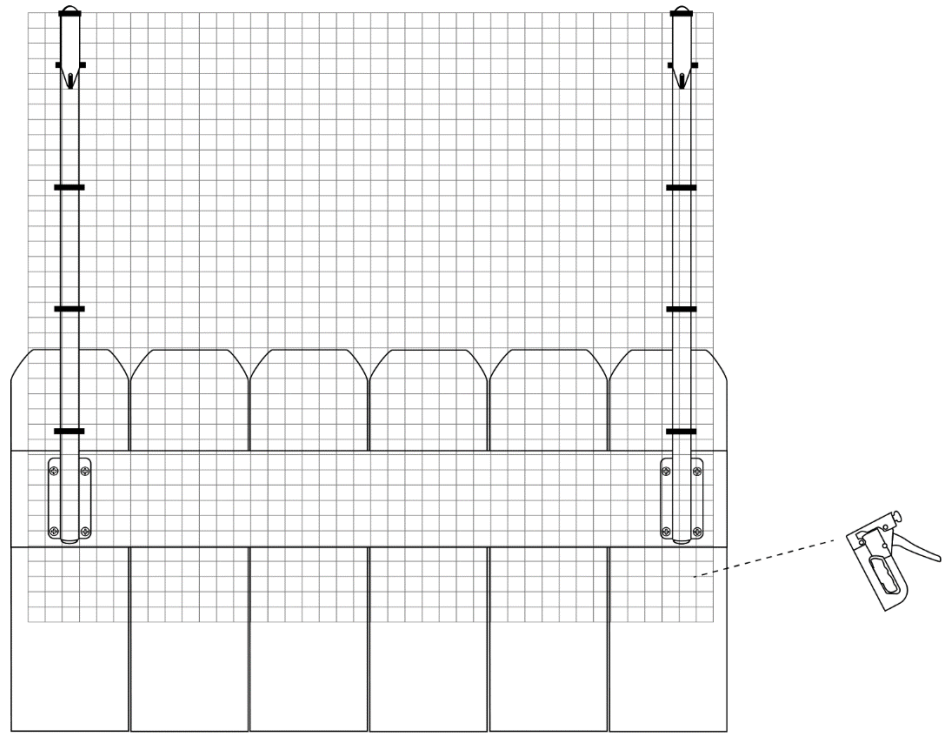
Note: Be sure to attach the fencing to the top of the extension by threading a **SELF-LOCKING TIE (B)** through the hole located at the top of the **EXTENSION POST (D)**.

3.



4. Tack down the bottom portion of the **FENCE MESH (A)** using **staples (sold separately)** for wood/split rail/vinyl fencing or **additional zip ties (sold separately)** for decorative metal and chain link.

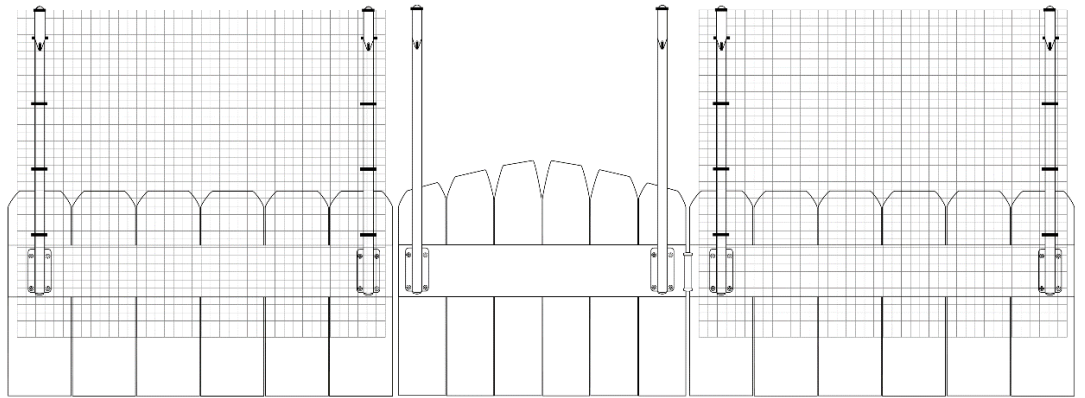
4.



Optional: Extension Kit Gate Instructions

1. When attaching your **EXTENSION POST (D)** in **STEP 1**, make sure to attach one post on either side of the door gate. Attach the extra two **EXTENSION POSTS (D)** in your gate kit to the gate door itself.

1.



2. Using a section of **FENCE MESH (A)** cut to the size of the gate door, attach the **FENCE MESH (A)** to the **EXTENSION POST (D)** on the gate door every 12" along the post using the **SELF-LOCKING TIES (B)**.

2.

