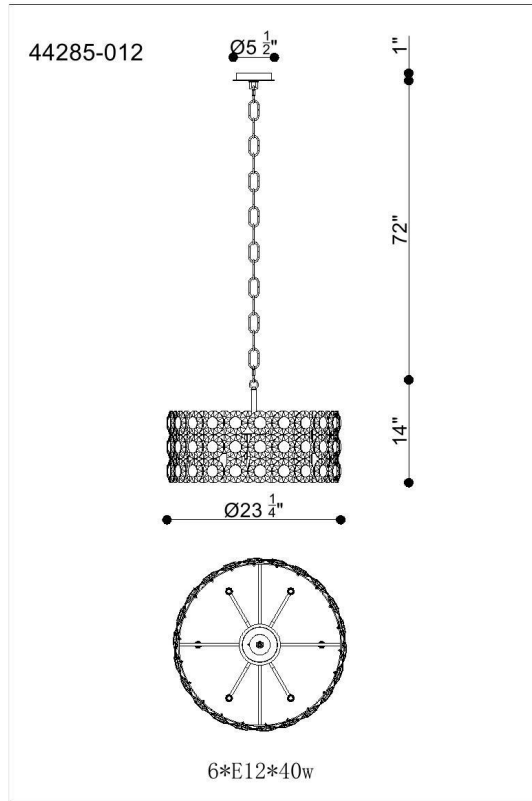


JOB NAME:

DATE:

TYPE:

COMMENTS:



LIGHT INFORMATION

Light Type	Bulb
Bulb Socket	E12
Bulb Shape	B10
Number of Lights	6
Light Direction	Up
Dimming Method	Triac/Elv
Current Type	AC
Input Voltage	120
Total Wattage	360

DIMENSIONS & WEIGHT

Height (In)	14
Min Height (In)	18
Max Height (In)	87
Diameter (In)	23.25
Weight (Lbs)	23.49

INSTALLATION

Mounting Type	J-Box
Rating	Dry
Hanging Support Type	Chain

PRODUCT FINISH

Chrome

SHADE FINISH

Cylindrical Clear Glass

CERTIFICATIONS & COMPLIANCE

