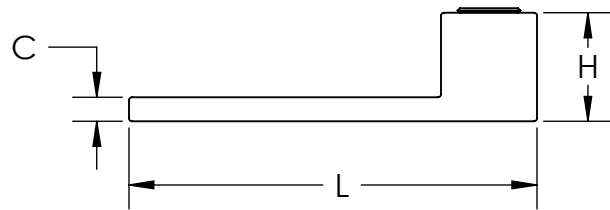
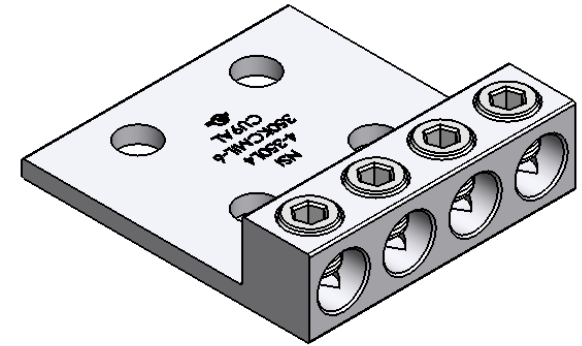
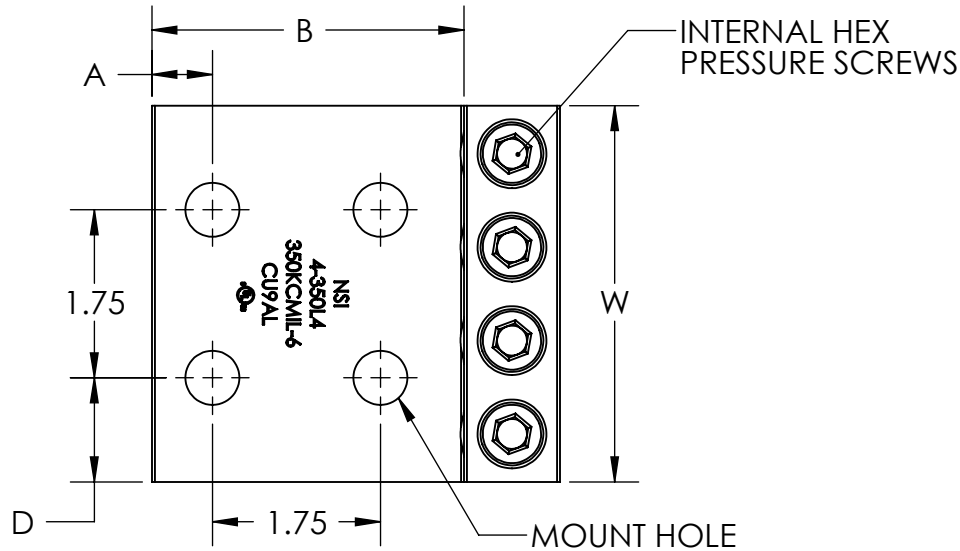




PART	WIRE RANGE	HEX SIZE	L	H	W	A	B	C	D	MOUNT HOLE
4-250L4	250KCMIL - 6 AWG	5/16	3.88	1.02	3.30	.56	3.01	.22	.78	9/16
4-350L4	350KCMIL - 6 AWG	5/16	4.25	1.13	3.92	.63	3.25	.25	1.09	9/16
4-600L4	600KCMIL - 2 AWG	3/8	4.65	1.51	5.00	.63	3.40	.38	1.63	9/16
4-800L4	800 - 300KCMIL	1/2	4.75	1.69	5.38	.63	3.38	.44	1.82	9/16
4-1000L4	1000 - 500KCMIL	9/16	4.94	1.88	6.19	.63	3.44	.44	2.22	9/16



CONTACT NSi FOR SALES @ 800.321.5847

		POLARIS SALES CO. INC	
<small>PROPRIETARY AND CONFIDENTIAL</small>		<small>11625 PROSPEROUS DRIVE ODESSA, FL 33556</small>	
<small>THE INFORMATION CONTAINED IN THIS DRAWING IS THE SOLE PROPERTY OF POLARIS SALES CO. INC. ANY REPRODUCTION IN PART OR AS A WHOLE WITHOUT THE WRITTEN PERMISSION OF POLARIS SALES CO. INC. IS PROHIBITED.</small>		TITLE: NSi 4 PORT LUGS NEMA MOUNT SERIES	
<small>NAME</small> S.PARRY		<small>DATE</small> 9/20/2012	
<small>DRAWN BY</small>		DWG. NO. 4_L4-SERIES	
MATERIAL: SEE NOTE		SCALE: 1:2	
		SHEET: 1 OF 1	

NOTES:

1. TIN PLATED 6061-T6511 ALUMINUM ALLOY.
2. UL LISTED 90° C FOR COPPER AND ALUMINIUM CONDUCTOR.