

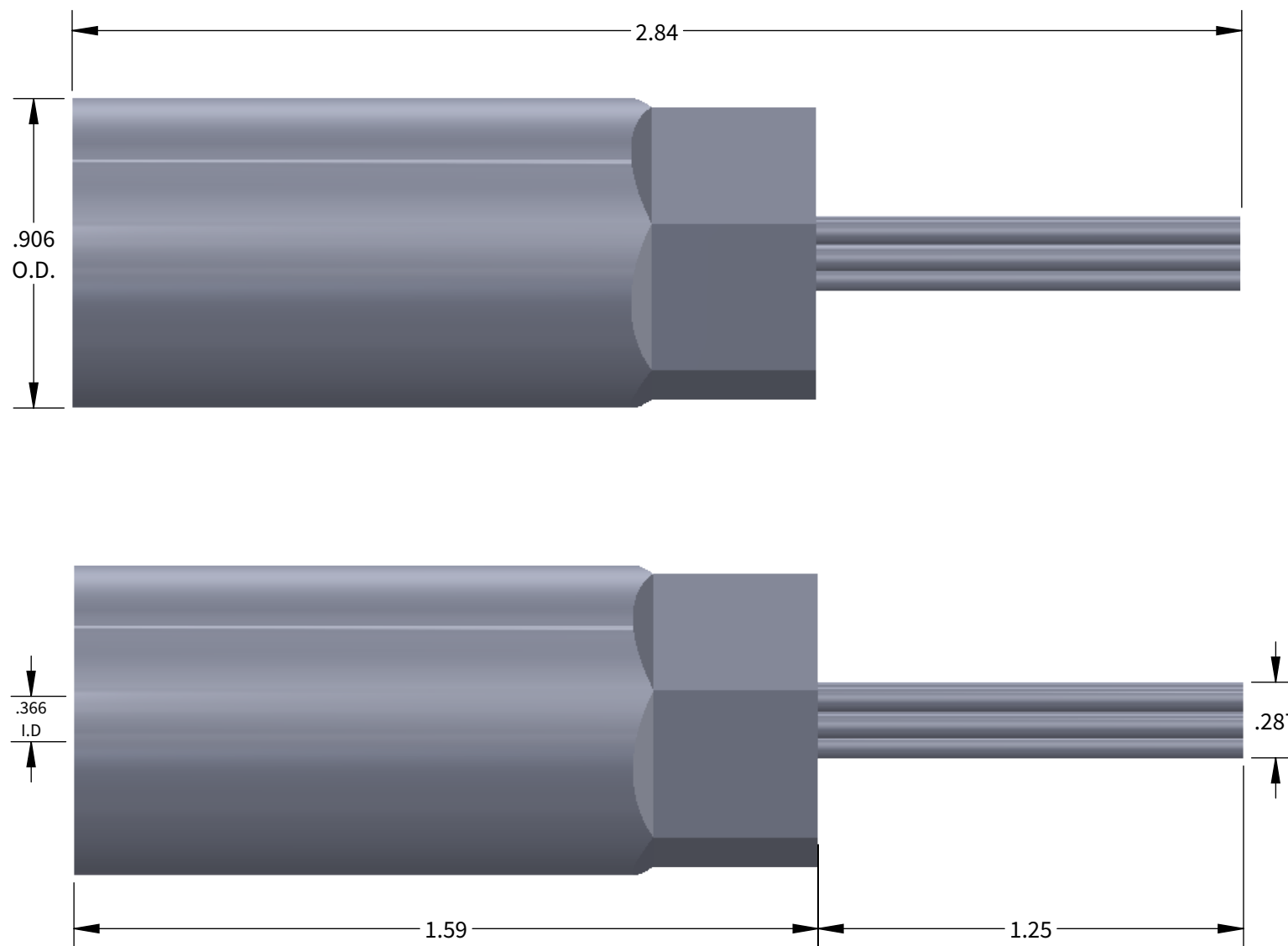
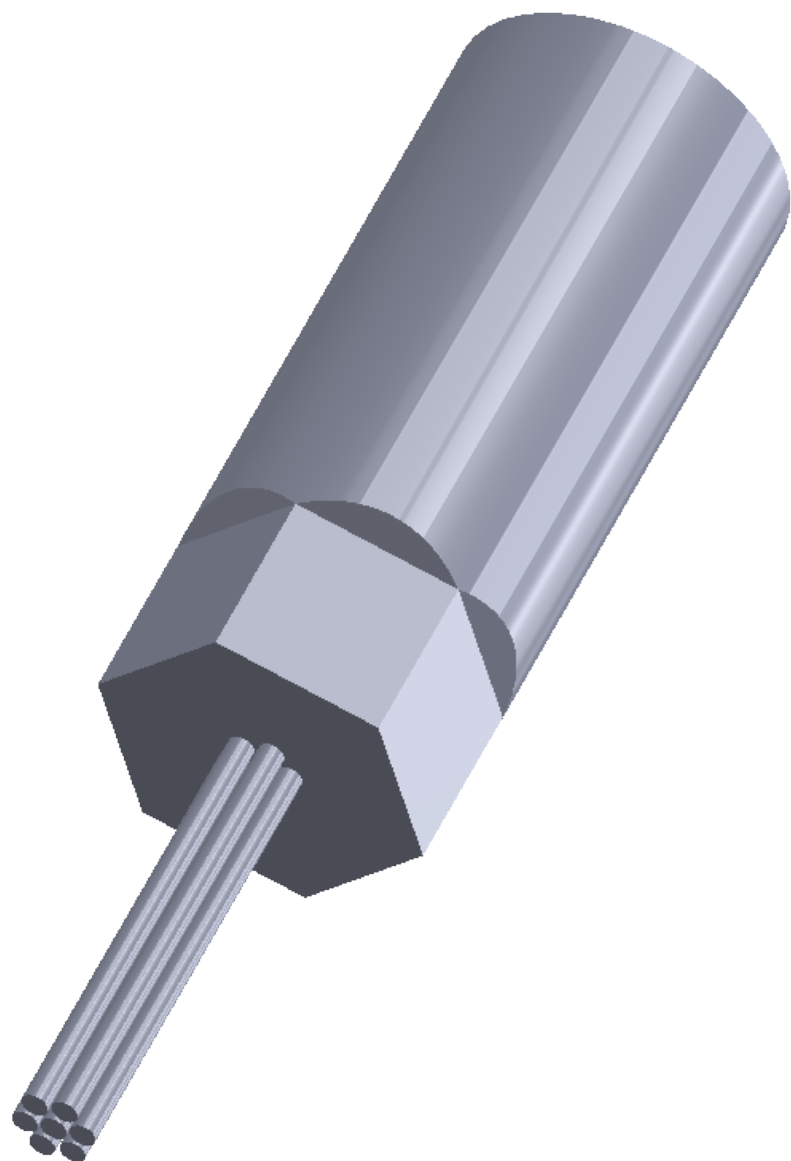
FEATURES:

1. Connector for aluminum conductor only.
2. Pigtail may be inserted into either aluminum or copper connectors.
3. 90 degree celsius rating per UL 486B.
4. Tin-plated stranded copper wire pigtail.
5. Tin-plated aluminum barrel prefilled with oxide inhibitor and capped.

PT Series: PT1/0

POLARIS[®]

PROGRAM:	SOLIDWORKS
UPDATED:	01/2024
SALES REV:	A
SIZE:	B (11x17)



WIRE SIZE	COPPER STUD SIZE (AL)	DIE COLOR
1/0 STR. AWG	2	RED

