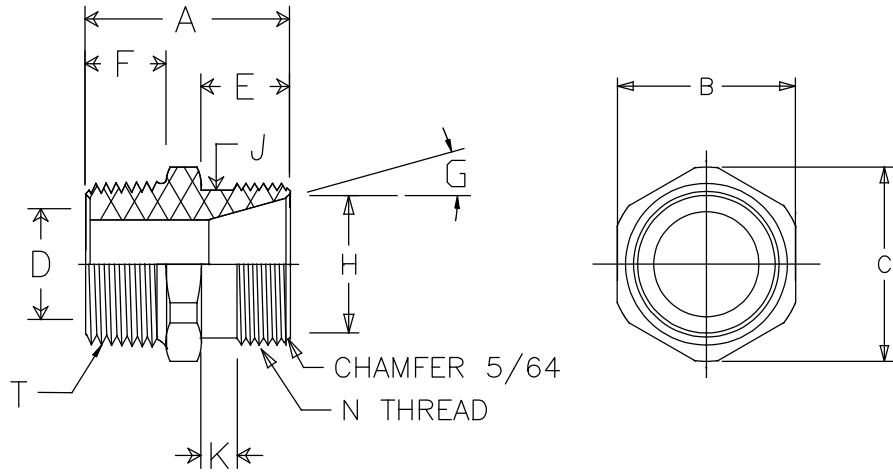


DIMENSIONS

A	1.035
B HEX	0.875
C DIA.	0.970
D BORE	0.470
E	0.437
F	0.437
G	12 DEGREES
H DIA.	0.594
J DIA.	0.640
K	0.100 MAX



N	3/4"-20 UNEF-2A
T	1/2" NPT

REMKE INDUSTRIES

Wheeling, Illinois 60090

SCALE: APPROX FULL
 MATERIAL: 6262T6511 ALUM
 FINISH: NATURAL
 PART NAME: BODY
 PART NUMBER: RSR-1000-B
 DRAWING DATE: 810714

REV.	DATE	CHANGE	
C	10/31/96	SQUARE J DIM.	UNLESS OTHERWISE SPECIFIED 3-PLC. DIM. +/- .005 2-PLC. DIM. +/- .010 1-PLC. DIM. +/- .015 FRACTIONAL +/- 1/64 ANGULAR +/- °1
D	6/9/98	CHANGE DIM G TO 12 DEGREES	