

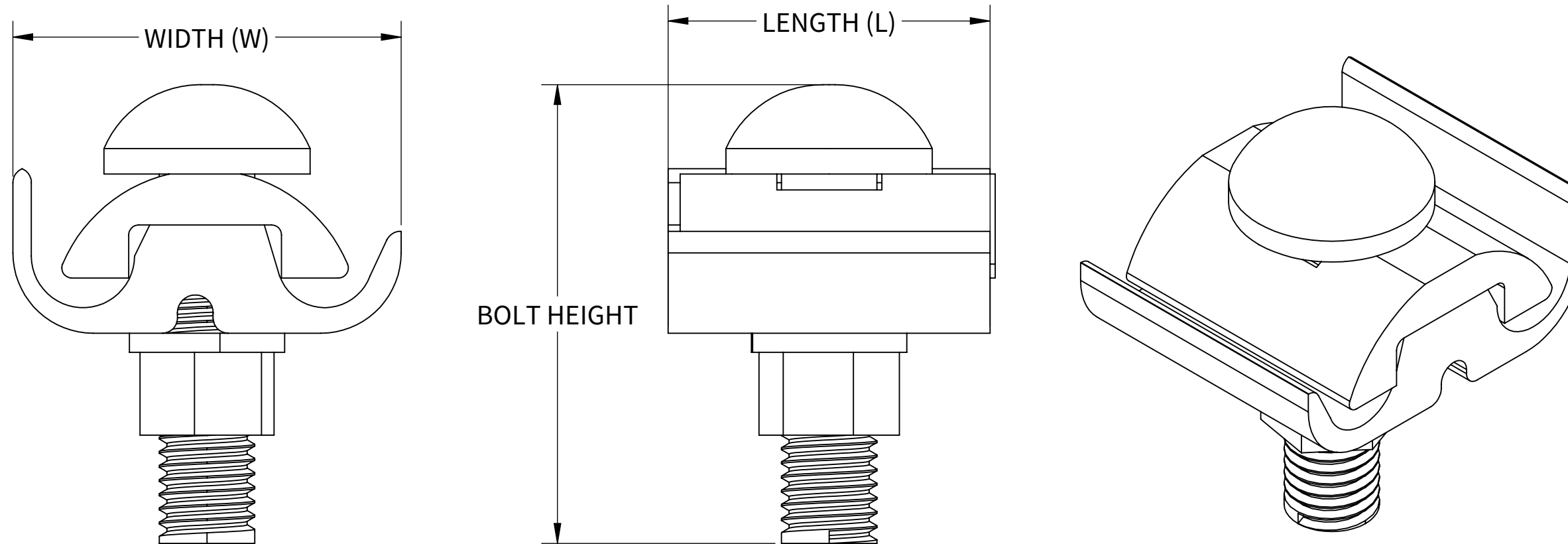
FEATURES:

1. High strength aluminum extruded alloy fittings assembled with steel or anodized high strength aluminum flat washers for heavy duty service entrance or for use as heavy duty distribution armor rod clamps.
2. Serrated grooves provide increased contact. Supplied pre-filled with oxide inhibitor.
3. Temperature Rating: 90 °C.
4. Voltage: 600V max.



PROGRAM:	SOLIDWORKS
UPDATED:	09/2024
SALES REV:	A
SIZE:	B (11x17)

PAA Series: Parallel Groove Clamps



CAT. NO.	MAIN/RUN		TAP		HEX WRENCH SIZE	BOLT HEIGHT	WIDTH (W)	LENGTH (L)
	ACSR	AL/CU	ACSR	AL/CU				
PAA4	1/0-6	1/0 STR-6 SOL	1/0-6	1/0 STR-6 SOL	3/8	1.700	1.575	1.300
PAA5	1/0-8	1/0 STR-8 SOL	1/0-8	1/0 STR-8 SOL	3/8	1.496	1.496	1.240
PAA6	1/0-8	2/0 STR-8 SOL	1/0-8	2/0 STR-8 SOL	3/8	1.496	1.496	1.240
PAA10	336.4-1/0	400-1/0 SOL	1/0-8	1/0 STR-8 SOL	3/8	2.00	1.750	2.469
PAA12	4/0-2	4/0 STR-2 SOL	4/0-2	4/0 STR-2 SOL	1/2	2.440	2.00	2.00
PAA29	2-6	2 STR-6 SOL	2-6	2 STR-6 SOL	5/16	1.094	1.375	1.813
PAA129	4/0-2	4/0 STR-2 SOL	4/0-2	4/0 STR-20L	1/2	2.250	2.00	2.00

