

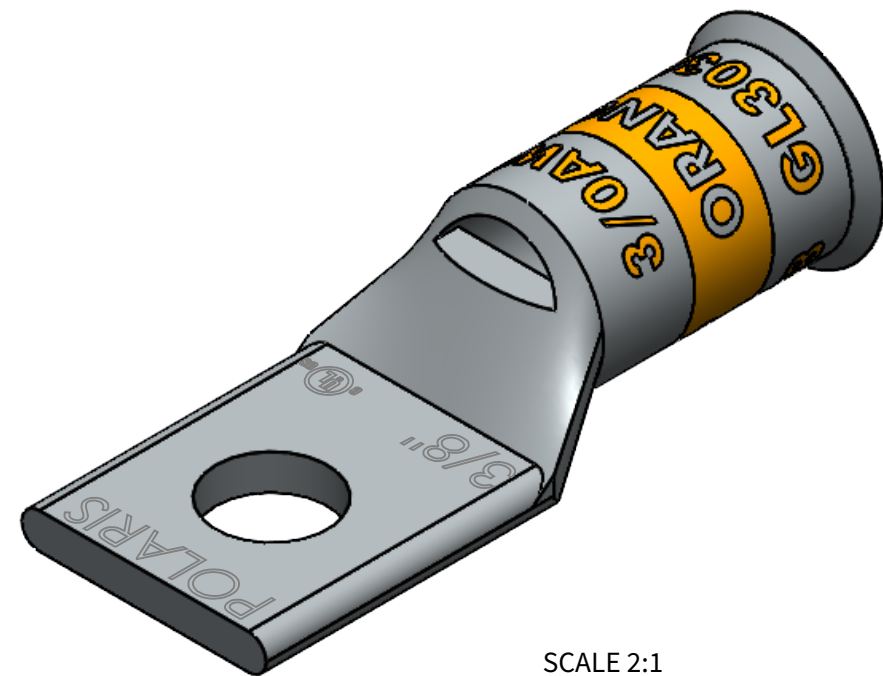
FEATURES:

1. Material: Tin Plated CU
2. UL listed for U.S. & Canada.
3. Wire connector rated for 35Kv max.
4. Class B/C compressed, concentric, and compact copper conductor only.
5. Expanded wire range when installed with dieless NSi compression tool (N121D).
6. Dimensions are for reference only, tolerance is +/- .06".

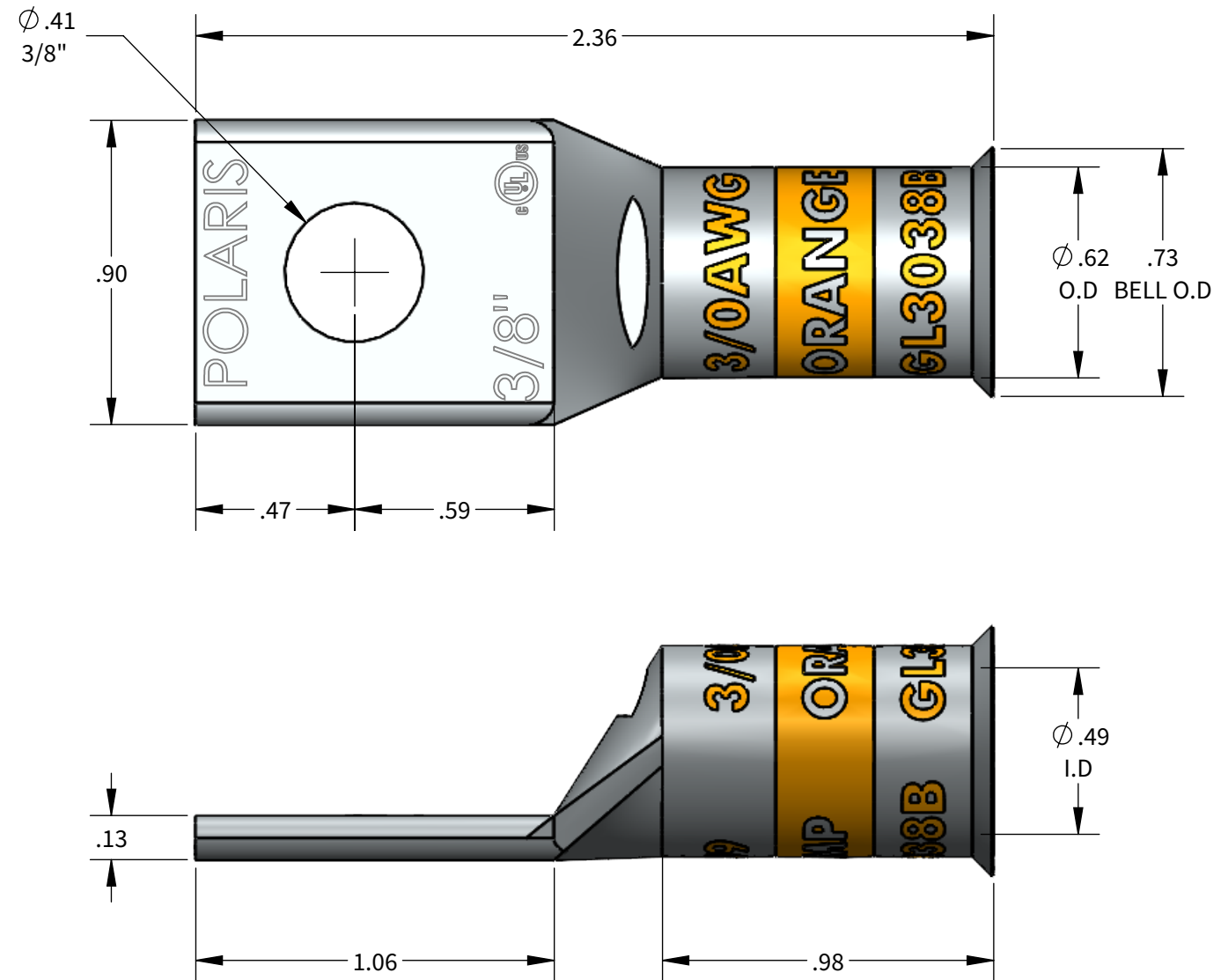
GL Series: GL3038B



PROGRAM:	SOLIDWORKS
UPDATED:	4/2022
SALES REV:	A
SIZE:	B (11x17)



SCALE 2:1



COPPER COMPRESSION CONNECTOR TOOL AND DIE CHART (# OF CRIMPS)

WIRE SIZE	STRIP LENGTH	DIE COLOR	EXPANDED WIRE RANGE W/N121D	NSI		GREENLEE	ILSCO	BURNDY	T&B	HUSKIE			
				N1240 SERIES	NSI-12	1240 SERIES	ILC-12/ILC-15 SERIES	Y-35, Y750, PAT 750	TBM-15, TBM-14M	EP510C			
3/0AWG	1-1/16"	ORANGE	3/0AWG-#2AWG	KC12-3/0 (1)	CD10 (2)	HT41BA (2)	KC12-3/0 (1)	ILD-9 (2)	KC12-3/0 (1)	U27RT (1)	15530 (2)	HT41BA (2)	CD10 (2)

