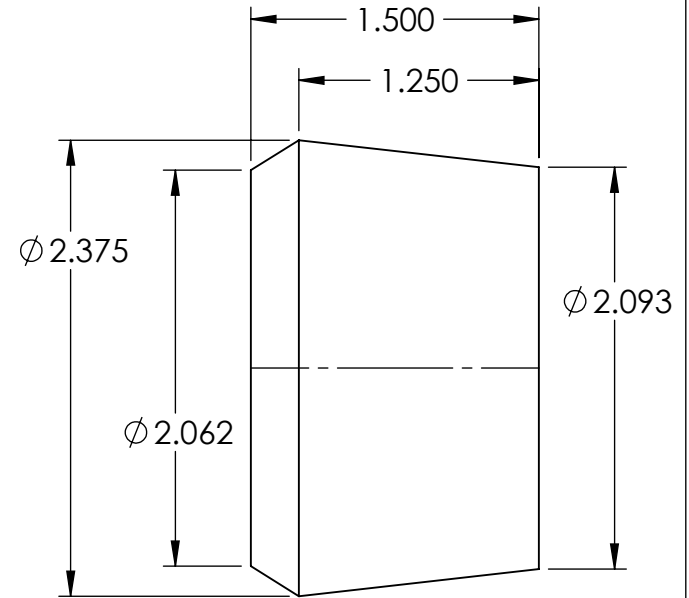
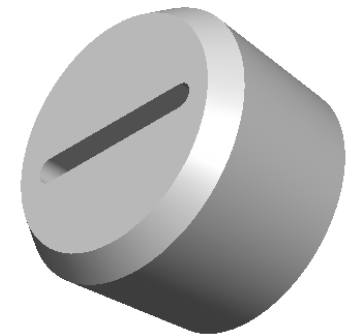


SECTION A-A



NOTES:

1. FLASH TO BE HELD TO A MINIMUM AND MAY NOT WEB ACROSS HOLES.
2. I.D. AND O.D. CONCENTRICITY .020.
3. ALL OTHER DIMENSIONS  $\pm .015$ .
4. MATERIAL: BLACK NEOPRENE 50-60 DUROMETER
5. REPLACES SRB-35834D



REV.	DATE	CHANGE	UNLESS OTHERWISE SPECIFIED:	NAME	DATE	REMKE INDUSTRIES	
A	11/30/00	DRAWING RELEASED	DIMENSIONS ARE IN INCHES	DRAWN	JCN	9/15	310 CHADDICK DR, WHEELING, IL. 60090
B	9/6/15	REDRAWN	TOLERANCES:	CHECKED			TITLE:
			FRACTIONAL $\pm 1/64$	ENG APPR.			<b>BUSHING</b>
			ANGULAR: MACH $\pm 1^\circ$ BEND $\pm 1^\circ$	MFG APPR.			SIZE
			ONE PLACE DECIMAL $\pm .015$	Q.A.			DWG. NO.
			TWO PLACE DECIMAL $\pm .010$	PROPRIETARY AND CONFIDENTIAL			<b>A</b>
			THREE PLACE DECIMAL $\pm .005$	THE INFORMATION CONTAINED IN THIS DRAWING IS THE SOLE PROPERTY OF REMKE INDUSTRIES. ANY REPRODUCTION IN PART OR AS A WHOLE WITHOUT THE WRITTEN PERMISSION OF REMKE INDUSTRIES IS PROHIBITED.			<b>SBF-6004</b>
			INTERPRET GEOMETRIC TOLERANCING PER:	DO NOT SCALE DRAWING		SCALE: 2:1	SHEET 1 OF 1
			MATERIAL				
			SEE NOTE				
			FINISH				

5

↑

4

3

2

1