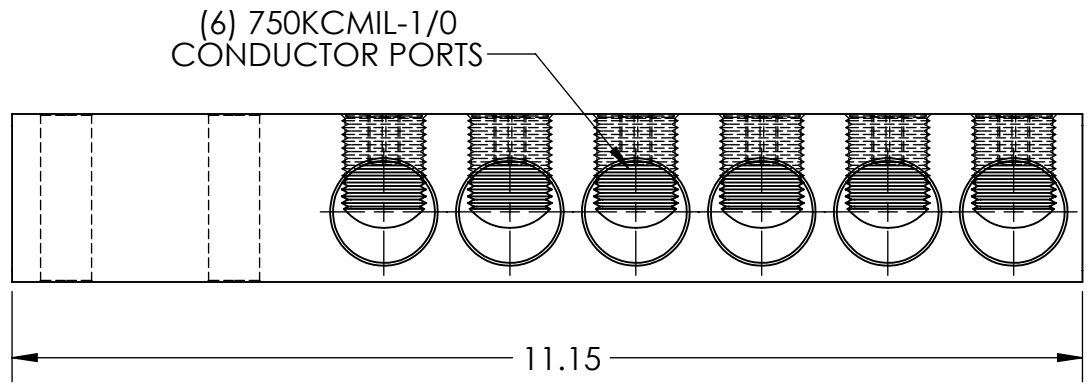
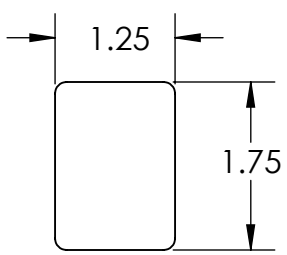
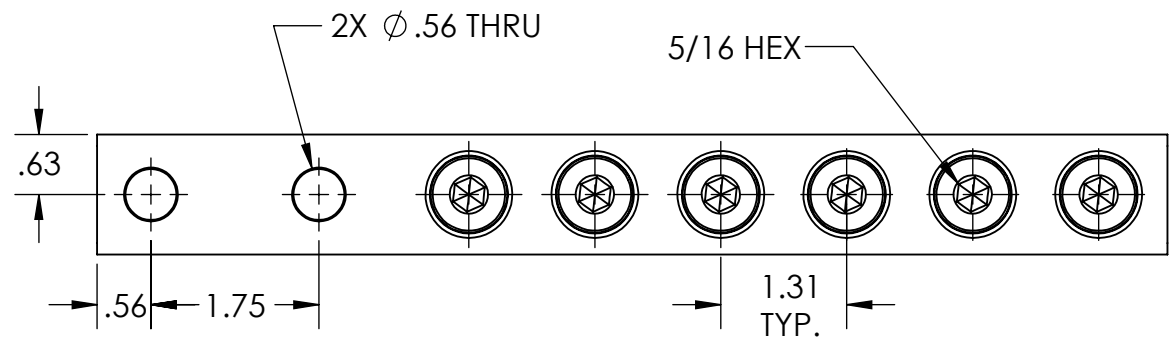
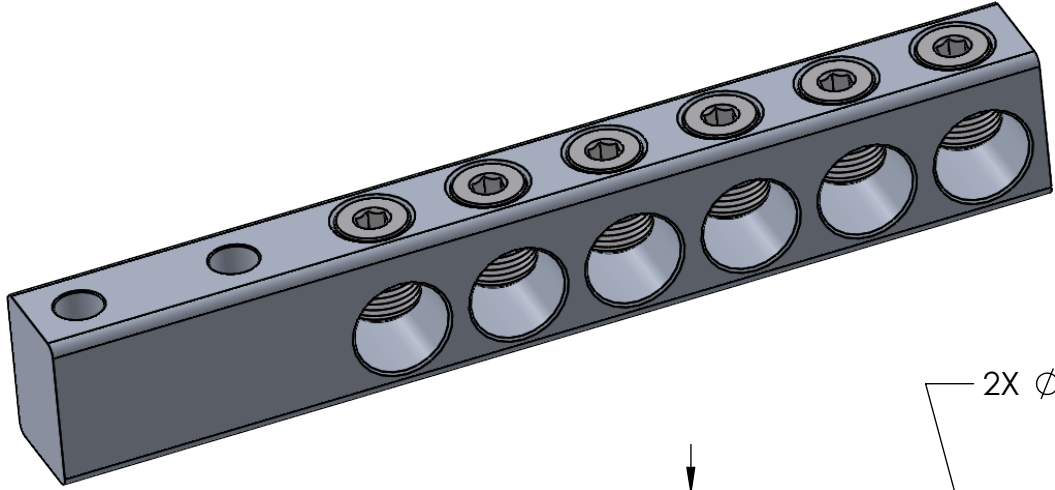


PROGRAM:	SOLIDWORKS
UPDATED:	11/22/2024
SALES REV:	A
SIZE:	A (8.5x11) (IN)



### FEATURES:

1. Material: Aluminum.
2. Class B/C compressed, concentric, and compact conductor only.
3. Dual rated AL-CU.