

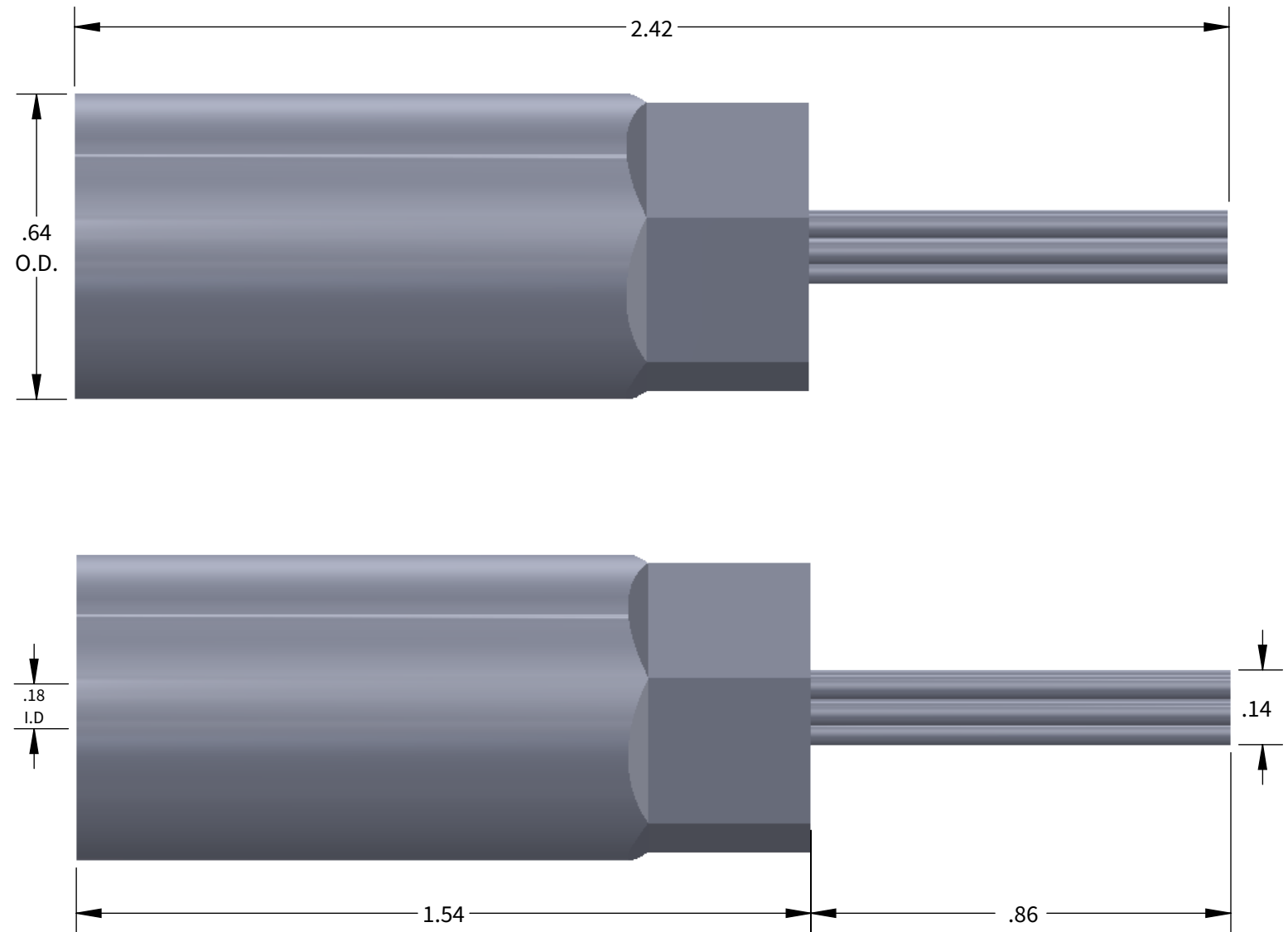
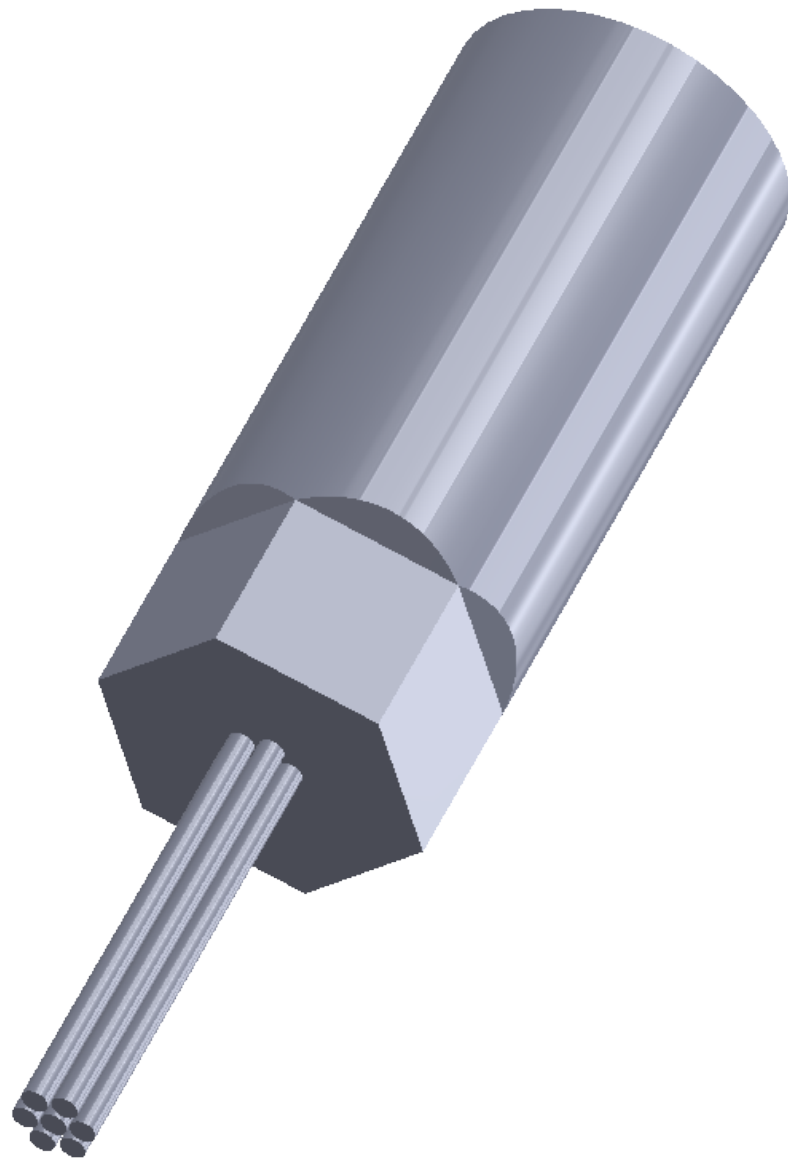
FEATURES:

- 1. Connector for aluminum conductor only.
- 2. Pigtail may be inserted into either aluminum or copper connectors.
- 3. 90 degree celsius rating per UL 486B.
- 4. Tin-plated stranded copper wire pigtail.
- 5. Tin-plated aluminum barrel prefilled with oxide inhibitor and capped.

PT Series: PT6

POLARIS®

PROGRAM:	SOLIDWORKS
UPDATED:	01/2024
SALES REV:	A
SIZE:	B (11x17)



WIRE SIZE	COPPER STUD SIZE (AL)	DIE COLOR
6 STR. AWG	8	ORANGE

