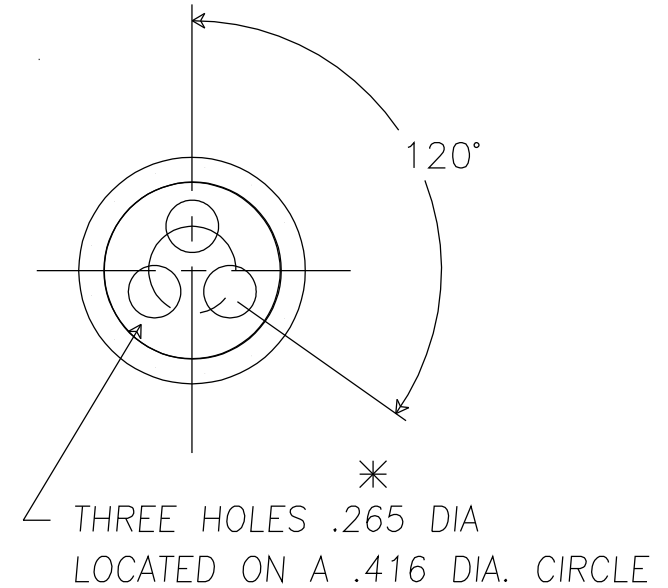
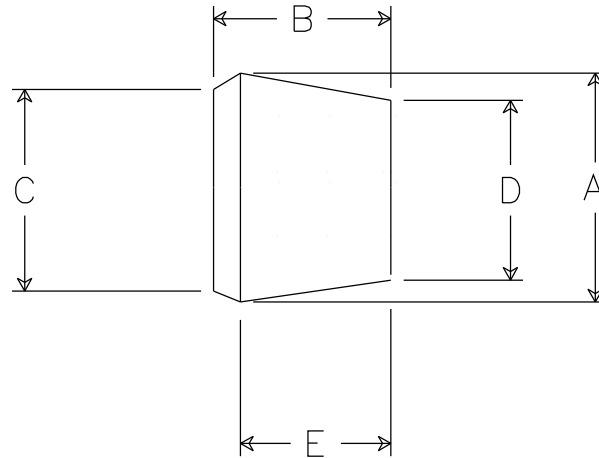


DIMENSIONS

- A 1.125 \*
- B 0.875 \*
- C 1.031
- D 0.875
- E 0.750



NOTES:

1. ANGULAR TOLERANCE +/- 1/2 DEGREE
2. FLASH TO BE HELD TO A MINIMUM AND MAY NOT WEB ACROSS HOLE DIA.
3. 1D/OD CONCENTRICITY WITHIN .020
4. ALL OTHER DIM +/- .015

REV. A	9/21/00	ADDED NOTES 1 THRU 4
REV. B	1/28/02	.265 DIA. WAS .260

**REMKE INDUSTRIES**  
*Wheeling, Illinois 60090*

SCALE: APPROX FULL  
 MATERIAL: NEOPRENE 50-60 DUROMETER  
 FINISH: NATURAL BLACK  
 PART NAME: BUSHING  
 PART NUMBER: SRB-201764-3  
 DRAWING DATE: 941013