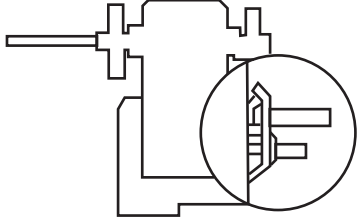


SM6700B

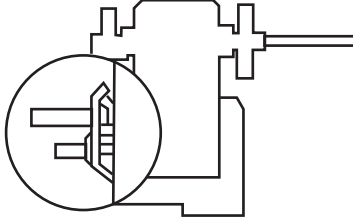
Installation Instructions

To Replace BOHN, PEERLESS



1. Place 10-32 hex screw thru larger hole inside adapter mount to form mounting stud. Fasten adapters to body of motor with 6-32 screw through lower hole in motor & 10-32 hex stud on outer edge.
2. Adjust hex studs to right or left to align them with original mount & tighten. Mount motor. Be sure to ground motor.

To Replace GE Mount



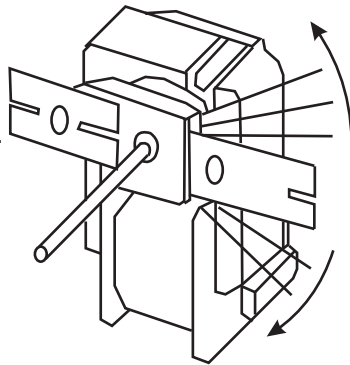
1. Thread small nuts on bearing bracket studs.
2. Fasten adapters to bracket over nut; 10-32 studs thru bottom hole; bracket on outside edge of motor using small nuts to secure.
3. Adjust hex studs to right or left to align them with original mount & tighten; mount motor. Be sure to ground motor.

Bracket Instructions

Installation of mounting bracket and "C" washers to extend mounting centers to 4" with infinite horizontal and angular flexibility.

Long Legs of mounting bracket fit 6-32 screws. Short legs fit #8 or #6 screws.

1. Loosen machine screw and slide mounting bracket under the head or the nut.
2. Before tightening, slip "C" washer between the mounting bracket and head or nut, so that it bridges open gaps on mounting bracket.
3. When proper length and angle of mounting bracket are set, tighten nut or head of bolt.
4. Use "C" washer on other end of bracket to fasten existing support.
5. Be sure to ground motor.



The SM6700B comes complete with mounting brackets. You can replace hundreds of standard units as well as 3.3", 3-1/2", 4" round motors.

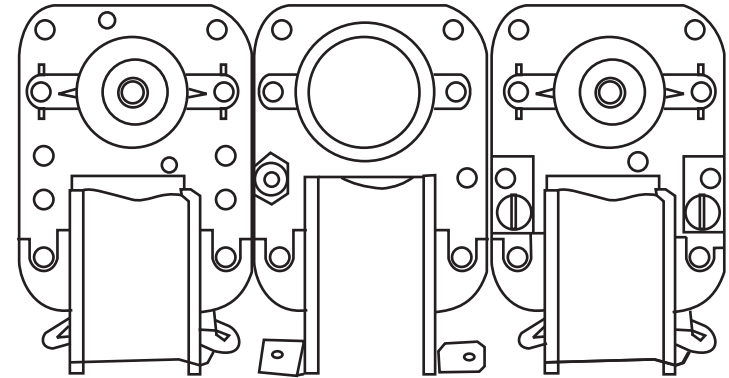


800.333.9125 - techsupport@supco.com - www.supco.com

SM6700B

Use hardware to replace BOHN-UPPCO & Ge33 frame motors

Shaft Line



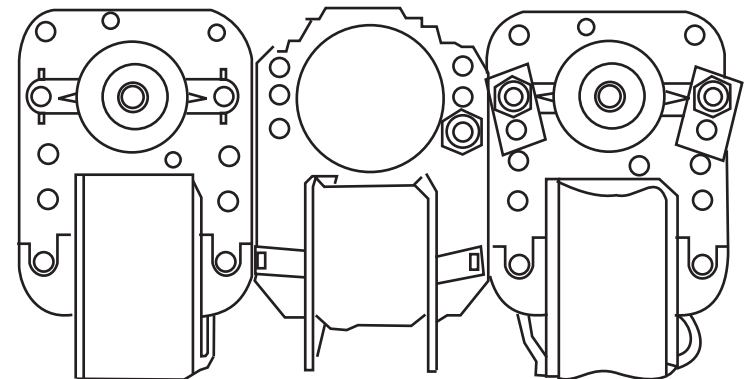
SUPCO Reversible standard motor and mounts

BOHN UPPCO motor & mounting holes
BOHN-UPPCO mounting holes are between the hole in the standard stack & off center.

Supco with Adapters to replace UPPCO
Mount adapters as shown and you have the 10-32 stud right where you need it.

Shaft Line

Shaft Line



SUPCO Reversible standard motor and mounts

GE-33 Frame motor & mounts
GE mounting holes are in the same vertical line with holes in the standard stack, but about 9/32" lower than the shaft.

SUPCO with Adapters to replace GE
Mount adapters as shown and you have the 10-32 stud right where you need it.

Shaft Line

Adapters can be rotated slightly to provide exact fit.

800.333.9125 - techsupport@supco.com - www.supco.com