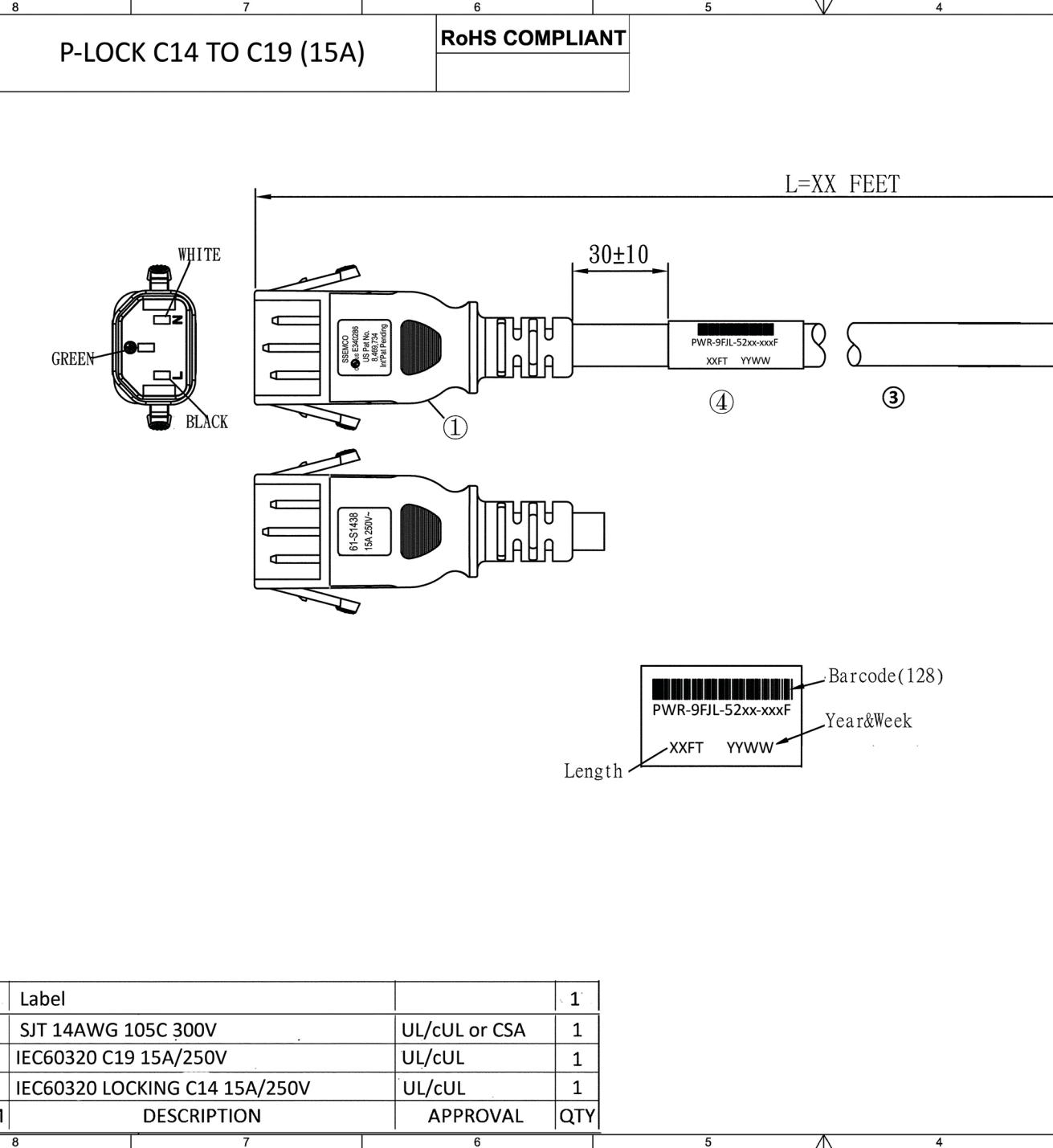


CUST PN  
REV  
C  
B  
A



ZONE		REV	DESCRIPTION	DATE	APPROVED
-	A		INITIAL DESIGN	20150120	L.Chen
-	B		US PATENT NO. ADDED	20150120	L.Chen
-	B1		BOM AND CABLE LABEL REVISED	20160111	Alan M

60-S1940  
15A 250V~

**ORDERING INFORMATION:**

**614190 - 7 5 XXX X**

**SERIES** [ ]

**COLOR CODE:**  
0=Black, 1=Gray, 2=Blue, 4=Green, 7=Red, 9=White

**CABLE LENGTH:**  
For Inch System:  
First two digits=feet; Last digit=inch

**WIRE GAUGE:**  
For North America:  
7=14AWG

**WIRE TYPE:**  
5=SJT

Barcode(128)  
PWR-9FJL-52xx-xxx F  
Year&Week  
XXFT YYWW  
Length

ITEM	DESCRIPTION	APPROVAL	QTY
4	Label		1
3	SJT 14AWG 105C 300V	UL/cUL or CSA	1
2	IEC60320 C19 15A/250V	UL/cUL	1
1	IEC60320 LOCKING C14 15A/250V	UL/cUL	1

UNLESS OTHERWISE SPECIFIED

1) INTERPRET DRAWING IAW ASME Y14.100-2000

2) REMOVE ALL BURRS AND SHARP EDGES. 2 R MAX

3) DIMENSIONS ARE IN MILLIMETERS

4) TOLERANCES ARE:

DECIMALS: .X +/-0.3; .XX +/-0.15; .XXX +/-0.005

ANGLES: X +/-1°; X.X +/-0.5°; X.XX +/-0.25°

THIRD ANGLE PROJECTION

Des'd By: L.Chen  
Drawn By: D.Chen  
App'd By: L.Chen

**LYNN**

Product Name  
**IEC320 Locking C14 to C19 Power Cord**

ITEM NO	PWR-9FJL-52xx-xxx F	REV	B1
DWG NO.	PWR-9FJL-52xx-xxx F	SHEET	1 OF 1