

# HOVER E

## Electric Monitor Arm

The **Hover E**, electric monitor arm, is a unique addition to the RightAngle™ monitor arm family. With 140 lbs of lifting capacity, you can move 1 to 8 monitors with a single push of a button. Multi-user workstations now have the ability to adjust all monitors to an ergonomic height within seconds to fit each individual user.

This monitor arm system is the perfect ergonomic solution for healthcare Radiology (PACS) patient monitoring, security stations, stock trading desks, and anywhere multi-monitor applications are used.

 See the **Hover E** in action!  
[youtube.com/RightAngleProducts](https://youtube.com/RightAngleProducts)

 ergonomics



### Available Color



Silver

### Rail Features

- Rail widths are available in: 23", 35", 47", 59", 71", and 83"
- Includes mounting bracket (to attach to lifting column)
- Holds up to four 24" monitors per rail
- Includes Wire Management Channels (not pictured)

### Lifting Column Features

- 15" electric height travel range
- Supports a 140-pound load capacity
- Choose clamp or grommet mount; adjustable to fit desks and work surfaces up to 2" thick
- Standard 2 button switch included (upgrade to 4 button switch w/memory available)
- Holds up to 2 rails
- AC 110-120V 50-60 Hz Power Supply
- Includes Wire Management Channels (not pictured)

### Monitor Mounting Features

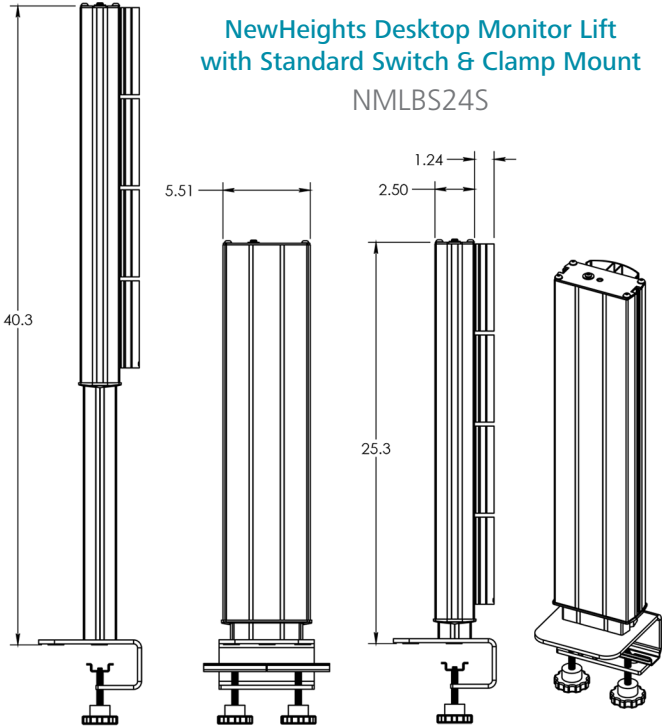
- Monitor Mounting Bracket, with Quick-Connect, contains 75mm and 100mm hole patterns to comply with VESA standards
- Customizable utilizing arm monitor extensions

©2019 RightAngle™ Products • 800.298.4351 • [raproducts.com](https://raproducts.com)

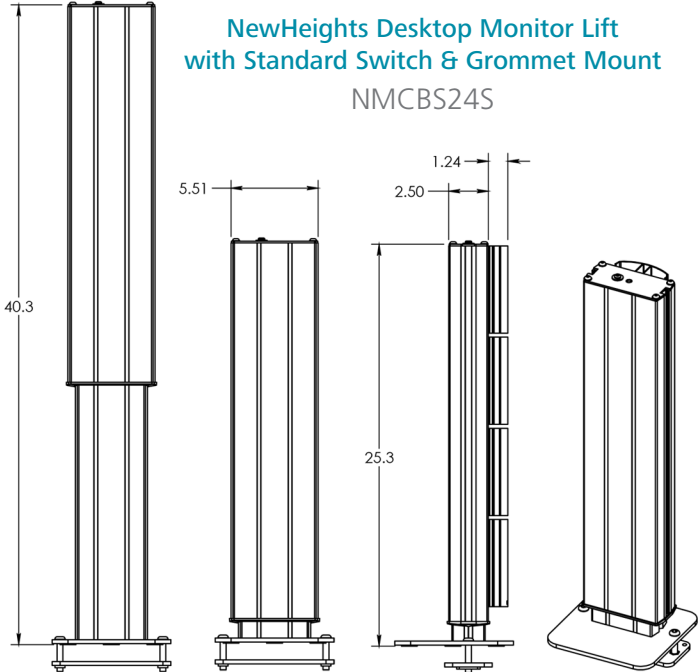


FREE FREIGHT<sup>on all</sup>  
 ergonomics

**NewHeights Desktop Monitor Lift  
with Standard Switch & Clamp Mount**  
NMLBS24S



**NewHeights Desktop Monitor Lift  
with Standard Switch & Grommet Mount**  
NMCBS24S

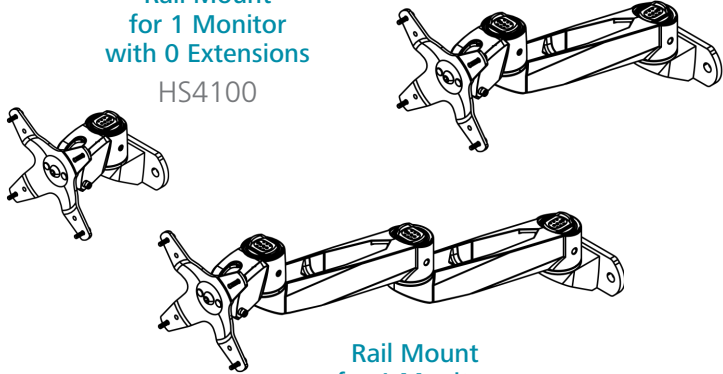


**Rail with Bracket**

- 23" NMLR24S
- 35" NMLR36S
- 47" NMLR48S
- 59" NMLR60S
- 71" NMLR72S
- 83" NMLR84S

**Rail Mount  
for 1 Monitor  
with 1 Extension**  
HS4110

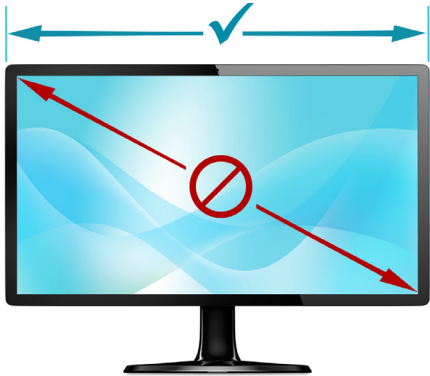
**Rail Mount  
for 1 Monitor  
with 0 Extensions**  
HS4100



**Rail Mount  
for 1 Monitor  
with 2 Extensions**  
HS4120

**How to Measure Your Monitor Size  
for RightAngle™ Monitor Arms**

Measure the **full width** of each monitor you'd like to mount (in inches).



Measure from **OUTSIDE EDGE to OUTSIDE EDGE**.  
*Do NOT measure diagonally.*