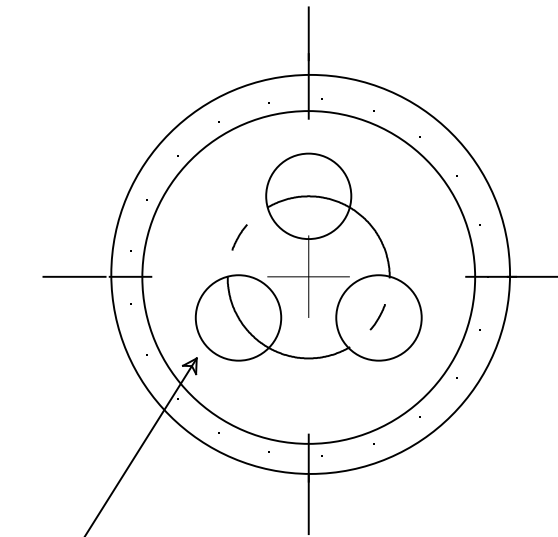
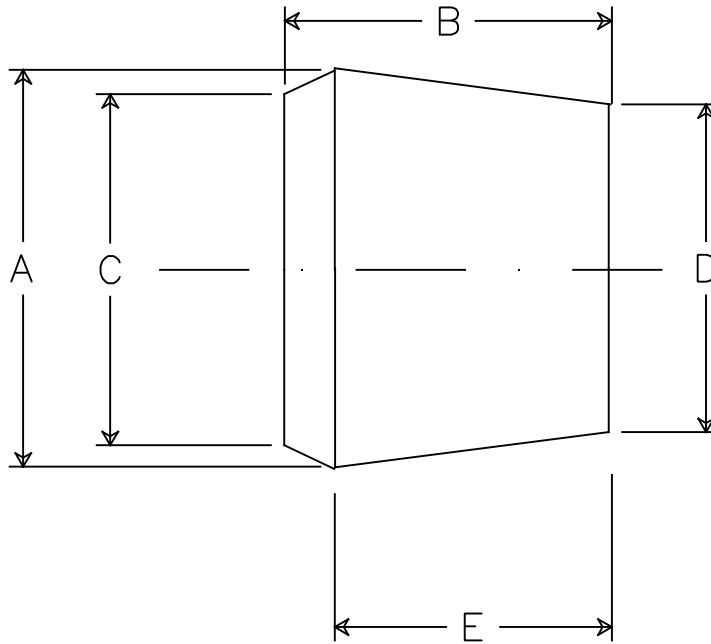


DIMENSIONS

A 1.843 *
 B 1.125 *
 C 1.625
 D 1.500
 E 1.000



*
 THREE .375 HOLES PLACED ON A
 .750 DIA CIRCLE

NOTES:

1. ANGULAR TOLERANCE $\pm 1/2$ DEGREE
2. FLASH TO BE HELD TO A MINIMUM AND MAY NOT WEB ACROSS HOLE DIA.
3. 1D/OD CONCENTRICITY WITHIN .020
4. ALL OTHER DIM $\pm .015$

REV. A 9/21/00 ADDED NOTES 1 THRU 4

REMKE INDUSTRIES

Wheeling, Illinois 60090

SCALE: APPROX FULL
 MATERIAL: NEOPRENE 50-60 DUROMETER
 FINISH: NATURAL BLACK
 PART NAME: BUSHING
 PART NUMBER: SRB-506-3
 DRAWING DATE: 970721