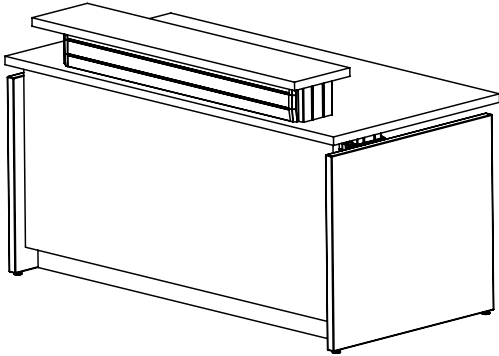


There are three styles of the Presidente Reception that we will walk through: Rectangle, L Shape (standard), and Fully Enclosed L Shape. Below is an overview of each style type.

Presidente Reception > Rectangle

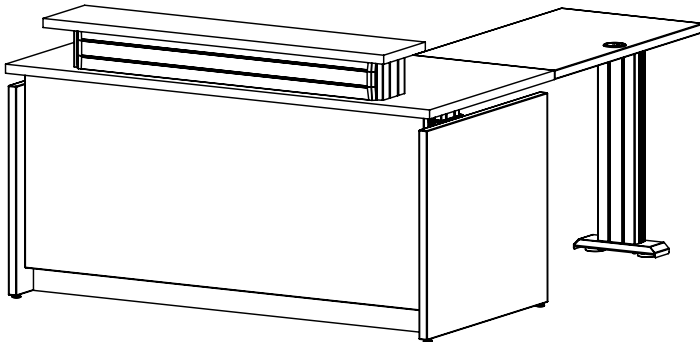
Part #s begin with "NPRBS". Standard rectangle Presidente Reception desks include a reception counter and a modesty panel.



Presidente Reception > L Shape

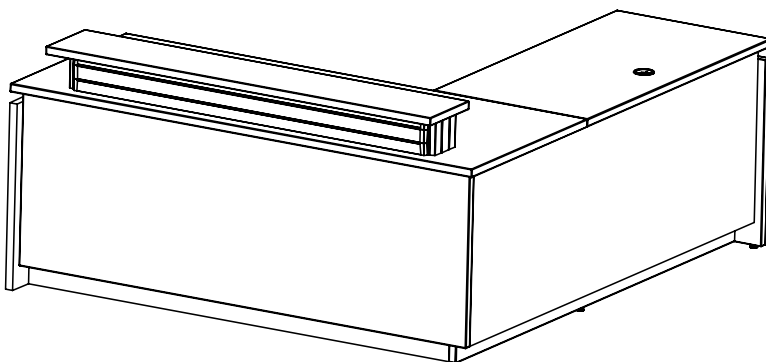
Part #s begin with "NPRBLLS" or "NPRBLRS". Standard L-shape Presidente Reception desks include a reception counter and a modesty panel on the desk side of the workstation.

A separate modesty panel for the return side is not available for this specific configuration. If you want a modesty panel on the return side of the workstation, please refer to the Presidente Reception Fully Enclosed L-Shape.



Presidente Reception > Fully Enclosed L Shape

Part #s begin with "NPRBELS" or "NPRBERS". Fully Enclosed L-shape Presidente Reception desks include a reception counter on the main desk side of the workstation AND full modesty panels on both the desk side and the return side of the workstation.



Presidente Reception > Rectangle

HOW TO SPECIFY & ORDER

Specify Presidente Reception Rectangle part #, and include the Version, Metal Finish, Primary Finish, Secondary Finish, and Transaction Counter Finish

Select Part #	Select Version	Select Metal Finish	Select Primary Laminate Finish	Select Secondary Laminate Finish	Transaction Counter Laminate Finish
NPRBS306030 -	<p>V1 All laminate panels are the same color</p> <p>V2 All laminate panels are the same EXCEPT the back panel</p> <p>V3 All laminate panels are the same EXCEPT the modesty panel</p> <p>See details below</p>	<p>B Black</p> <p>S Silver</p> <p><i>All metal components will be the same color, incl. on the transaction counter.</i></p>	See page 8	See page 8	See page 8
<input type="text" value="N"/> <input type="text" value="P"/> <input type="text" value="R"/> <input type="text" value="B"/> <input type="text" value="S"/> <input type="text" value="3"/> <input type="text" value="0"/> <input type="text" value="6"/> <input type="text" value="0"/> <input type="text" value="3"/> <input type="text" value="0"/> -	<input type="text" value="V"/> <input type="text" value="1"/> -	<input type="text" value="S"/> -	<input type="text" value="L"/> <input type="text" value="T"/> -	<input type="text" value="L"/> <input type="text" value="T"/> -	<input type="text" value="L"/> <input type="text" value="T"/> -

VERSIONS EXPLAINED

Versions help to identify which laminate color scheme you want. For the Presidente Reception Rectangle, you can choose between three versions: V1, V2, and V3. Below shows the difference between each. The rectangle shape always includes a modesty panel. *Please note that the kick panel on the inside of the unit (where the user's feet are located) is ALWAYS black.* Only a total of TWO laminate finishes may be used for the entire workstation (black kick panel not included in the count). Any other color combinations outside of the versions below are considered custom - please contact customer service for more information.

Version V1

Select V1 if you want all of the laminate panels to be the same color. For this option, you will put the same finish code for both the primary and secondary laminate finish when specifying. With this version, you can select any laminate finish you'd like for the transaction counter.



Full part # for this example: NPRBS306030-V1-S-LT-LT-LT

Looks Likatre (LT) is the primary, secondary, and transaction counter laminate finish.

In this example, any standard laminate finish can be used for the transaction counter.

Version V2

Select V2 if you want all of the laminate panels to be the same color EXCEPT the back panel. For this option, your primary laminate finish is the one that is used on the majority of the laminate panels (ex: worksurface, modesty panel, & side panels). The secondary laminate finish is the one used on the back panel. When selecting your transaction counter laminate finish, it MUST MATCH either the primary or secondary laminate finish.



Full part # for this example: NPRBS306030-V2-S-LT-BK-LT

Looks Likatre (LT) is the primary laminate finish.

Black (BK) is the secondary laminate finish.

Looks Likatre (LT) is the transaction counter laminate finish.

In this example, only LT or BK can be used for the transaction counter laminate finish.

Presidente Reception > Rectangle

VERSIONS EXPLAINED (continued)

Version V3

Select V3 if you want all of the laminate panels to be the same color EXCEPT the modesty panel. For this option, your primary laminate finish is the one that is used on the majority of the laminate panels (ex: worksurface, back panel, & side panels). The secondary laminate finish is the one used on the modesty panel. When selecting your transaction counter laminate finish, it MUST MATCH either the primary or secondary laminate finish.



Full part # for this example: NPRBS306030-V3-S-LT-BK-LT

Looks Likatre (LT) is the primary laminate finish.

Black (BK) is the secondary laminate finish.

Looks Likatre (LT) is the transaction counter laminate finish.




In this example, only LT or BK can be used for the transaction counter laminate finish.

EXAMPLES:

If you want this color combination:	Order this:
 <p>Showing Version V1</p> <p>All laminate panels are the same finish.</p>	<p>NPRBS306030-V1-S-LT-LT-LT</p> <p>If you were to order NPRBS306030SLT (the standard way to order prior to this spec guide), then this is also what you would get.</p> <p>LT = Looks Likatre</p>
 <p>Showing Version V2</p> <p>All laminate panels are the same finish EXCEPT the back panel.</p>	<p>NPRBS306030-V2-S-LT-BK-LT</p> <p>LT = Looks Likatre, BK - Black</p>
 <p>Showing Version V3</p> <p>All laminate panels are the same finish EXCEPT the modesty panel.</p>	<p>NPRBS306030-V3-S-LT-BK-LT</p> <p>LT = Looks Likatre, BK - Black</p>

Presidente Reception > Rectangle

EXAMPLES (CONT.):

If you want this color combination:	Order this:
 <p>Showing Version V1</p> <p>All laminate panels are the same finish, except transaction counter.</p> <p>This meets requirement of only two laminate finishes being used.</p>	<p>NPRBS306030-V1-S-LT-LT-BK</p> <p>LT = Looks Likatre, BK - Black</p>
 <p>Showing Version V2</p> <p>All laminate panels are the same finish, except back panel & transaction counter.</p> <p>This meets requirement of only two laminate finishes being used.</p>	<p>NPRBS306030-V2-S-LT-BK-BK</p> <p>LT = Looks Likatre, BK - Black</p>
 <p>Showing Version V3</p> <p>All laminate panels are the same finish, except modesty panel & transaction counter.</p> <p>This meets requirement of only two laminate finishes being used.</p>	<p>NPRBS306030-V3-S-LT-BK-BK</p> <p>LT = Looks Likatre, BK - Black</p>

Presidente Reception > L Shape

HOW TO SPECIFY & ORDER

Specify Presidente Reception L Shape part #, and include the Version, Metal Finish, Primary Finish, Secondary Finish, and Transaction Counter Finish

<p>Select Part #</p> <p>N P R B L L S 2 4 7 2 7 2 3 0 -</p>	<p>Select Version</p> <p>V1 All laminate panels are the same color</p> <p>V2 All laminate panels are the same EXCEPT the back panel</p> <p>V3 All laminate panels are the same EXCEPT the modesty panel</p> <p>See details below</p> <p>V 1 -</p>	<p>Select Metal Finish</p> <p>B Black</p> <p>S Silver</p> <p>All metal components will be the same color, incl. on the transaction counter.</p> <p>S -</p>	<p>Select Primary Laminate Finish</p> <p>See page 8</p> <p>LT -</p>	<p>Select Secondary Laminate Finish</p> <p>See page 8</p> <p>If selecting Version V1, put down the same finish code as your primary laminate finish.</p> <p>LT -</p>	<p>Transaction Counter Laminate Finish</p> <p>See page 8</p> <p>If V1 - this finish can any finish you'd like.</p> <p>If V2 or V3 - this finish MUST MATCH either the primary or secondary finish color.</p> <p>LT</p>
---	--	--	---	--	--

VERSIONS EXPLAINED

Versions help to identify which laminate color scheme you want. For the Presidente Reception L Shape, you can choose between three versions: V1, V2, and V3. Below shows the difference between each. The L Shape always includes a modesty panel on the main desk side. *Please note that the kick panel on the inside of the unit (where the user's feet are located) is ALWAYS black.* Only a total of TWO laminate finishes may be used for the entire workstation (black kick panel not included in the count). Any other color combinations outside of the versions below are considered custom - please contact customer service for more information.

Version V1

Select V1 if you want all of the laminate panels to be the same color. For this option, you will put the same finish code for both the primary and secondary laminate finish when specifying. With this version, you can select any laminate finish you'd like for the transaction counter.



Full part # for this example: NPRBLLS24727230-V1-S-LT-LT-LT

Looks Likatre (LT) is the primary, secondary, and transaction counter laminate finish.

In this example, any standard laminate finish can be used for the transaction counter.

Version V2

Select V2 if you want all of the laminate panels to be the same color EXCEPT the back panel. For this option, your primary laminate finish is the one that is used on the majority of the laminate panels (ex: worksurface, modesty panel, & side panels). The secondary laminate finish is the one used on the back panel. When selecting your transaction counter laminate finish, it MUST MATCH either the primary or secondary laminate finish.



Full part # for this example: NPRBLLS24727230-V2-S-LT-BK-LT

Looks Likatre (LT) is the primary laminate finish.

Black (BK) is the secondary laminate finish.

Looks Likatre (LT) is the transaction counter laminate finish.

In this example, only LT or BK can be used for the transaction counter laminate finish.

Presidente Reception > L Shape

VERSIONS EXPLAINED (continued)

Version V3

Select V3 if you want all of the laminate panels to be the same color EXCEPT the modesty panel. For this option, your primary laminate finish is the one that is used on the majority of the laminate panels (ex: worksurface, back panel, & side panels). The secondary laminate finish is the one used on the modesty panel. When selecting your transaction counter laminate finish, it MUST MATCH either the primary or secondary laminate finish.



Full part # for this example: NPRBLLS24727230-V3-S-LT-BK-LT




Looks Likatre (LT) is the primary laminate finish.

Black (BK) is the secondary laminate finish.

Looks Likatre (LT) is the transaction counter laminate finish.




In this example, only LT or BK can be used for the transaction counter laminate finish.

EXAMPLES:

If you want this color combination:	Order this:
 <p>Showing Version V1</p> <p>All laminate panels are the same finish.</p>	<p>NPRBLLS24727230-V1-S-LT-LT-LT</p> <p>If you were to order NPRBLLS24727230SLT (the standard way to order prior to this spec guide), then this is also what you would get.</p> <p>LT = Looks Likatre</p>
 <p>Showing Version V2</p> <p>All laminate panels are the same finish EXCEPT the back panel.</p>	<p>NPRBLLS24727230-V2-S-LT-BK-LT</p> <p>LT = Looks Likatre, BK - Black</p>
 <p>Showing Version V3</p> <p>All laminate panels are the same finish EXCEPT the modesty panel.</p>	<p>NPRBLLS24727230-V3-S-LT-BK-LT</p> <p>LT = Looks Likatre, BK - Black</p>

Presidente Reception > L Shape

EXAMPLES (CONT.):

If you want this color combination:	Order this:
 <p>Showing Version V1</p> <p>All laminate panels are the same finish, except transaction counter.</p> <p>This meets requirement of only two laminate finishes being used.</p>	<p>NPRBLLS24727230-V1-S-LT-LT-BK</p> <p>LT = Looks Likatre, BK - Black</p>
 <p>Showing Version V2</p> <p>All laminate panels are the same finish, except back panel & transaction counter.</p> <p>This meets requirement of only two laminate finishes being used.</p>	<p>NPRBLLS24727230-V2-S-LT-BK-BK</p> <p>LT = Looks Likatre, BK - Black</p>
 <p>Showing Version V3</p> <p>All laminate panels are the same finish, except modesty panel & transaction counter.</p> <p>This meets requirement of only two laminate finishes being used.</p>	<p>NPRBLLS24727230-V3-S-LT-BK-BK</p> <p>LT = Looks Likatre, BK - Black</p>

Presidente Reception > Fully Enclosed L Shape

HOW TO SPECIFY & ORDER

Specify Presidente Reception Fully Enclosed L Shape part #, and include the Version, Metal Finish, Primary Finish, Secondary Finish, and Transaction Counter Finish

<p>Select Part #</p> <p>N P E B E L S 2 4 7 2 7 2 3 0 -</p>	<p>Select Version</p> <p>V1 All laminate panels are the same color</p> <p>V2 All laminate panels are the same EXCEPT the back panel</p> <p>V3 All laminate panels are the same EXCEPT the modesty panel</p> <p>See details below</p> <p>V 1 -</p>	<p>Select Metal Finish</p> <p>B Black</p> <p>S Silver</p> <p>All metal components will be the same color, incl. on the transaction counter.</p> <p>S -</p>	<p>Select Primary Laminate Finish</p> <p>See page 8</p> <p>L T -</p>	<p>Select Secondary Laminate Finish</p> <p>See page 8</p> <p>If selecting Version V1, put down the same finish code as your primary laminate finish.</p> <p>L T -</p>	<p>Transaction Counter Laminate Finish</p> <p>See page 8</p> <p>If V1 - this finish can any finish you'd like.</p> <p>If V2 or V3 - this finish MUST MATCH either the primary or secondary finish color.</p> <p>L T</p>
---	--	--	--	---	---

VERSIONS EXPLAINED

Versions help to identify which laminate color scheme you want. For the Presidente Reception Fully Enclosed L Shape, you can choose between three versions: V1, V2, and V3. Below shows the difference between each. The Fully Enclosed version always includes the modesty panels. *Please note that the kick panel on the inside of the unit (where the user's feet are located) is ALWAYS black.* Only a total of TWO laminate finishes may be used for the entire workstation (black kick panel not included in the count). Any other color combinations outside of the versions below are considered custom - please contact customer service for more information.

Version V1

Select V1 if you want all of the laminate panels to be the same color. For this option, you will put the same finish code for both the primary and secondary laminate finish when specifying. With this version, you can select any laminate finish you'd like for the transaction counter.



Full part # for this example: NPRBELS24727230-V1-B-WN-WN-WN

Walnut (WN) is the primary, secondary, and transaction counter laminate finish.

In this example, any standard laminate finish can be used for the transaction counter.

Version V2

Select V2 if you want all of the laminate panels to be the same color EXCEPT the back panel. For this option, your primary laminate finish is the one that is used on the majority of the laminate panels (ex: worksurface, modesty panel, & side panels). The secondary laminate finish is the one used on the back panel. When selecting your transaction counter laminate finish, it MUST MATCH either the primary or secondary laminate finish.



Full part # for this example: NPRBELS24727230-V2-B-WN-BK-WN

Walnut (WN) is the primary laminate finish.

Black (BK) is the secondary laminate finish.

Walnut (WN) is the transaction counter laminate finish.

In this example, only WN or BK can be used for the transaction counter laminate finish.

Presidente Reception > Fully Enclosed L Shape

VERSIONS EXPLAINED (continued)

Version V3

Select V3 if you want all of the laminate panels to be the same color EXCEPT the modesty panel. For this option, your primary laminate finish is the one that is used on the majority of the laminate panels (ex: worksurface, back panel, & side panels). The secondary laminate finish is the one used on the modesty panel. When selecting your transaction counter laminate finish, it MUST MATCH either the primary or secondary laminate finish.



Full part # for this example: NPRBELS24727230-V3-S-WN-BK-WN

Walnut (WN) is the primary laminate finish.

Black (BK) is the secondary laminate finish.

Walnut (WN) is the transaction counter laminate finish.




In this example, only WN or BK can be used for the transaction counter laminate finish.

EXAMPLES:

If you want this color combination:	Order this:
 <p>Showing Version V1</p> <p>All laminate panels are the same finish.</p>	<p>NPRBELS24727230-V1-B-WN-WN-WN</p> <p>If you were to order NPRBELS24727230BWN (the standard way to order prior to this spec guide), then this is also what you would get.</p> <p>WN = Walnut</p>
 <p>Showing Version V2</p> <p>All laminate panels are the same finish EXCEPT the back panel.</p>	<p>NPRBELS24727230-V2-B-WN-BK-WN</p> <p>WN = Walnut, BK - Black</p>
 <p>Showing Version V3</p> <p>All laminate panels are the same finish EXCEPT the modesty panel.</p>	<p>NPRBELS24727230-V3-B-WN-BK-WN</p> <p>WN = Walnut, BK - Black</p>

Presidente Reception > Fully Enclosed L Shape

EXAMPLES (CONT.):

If you want this color combination:	Order this:
 <p>Showing Version V1</p> <p>All laminate panels are the same finish, except transaction counter.</p> <p>This meets requirement of only two laminate finishes being used.</p>	<p>NPRBELS24727230-V1-B-WN-WN-BK</p> <p>WN = Walnut, BK - Black</p>
 <p>Showing Version V2</p> <p>All laminate panels are the same finish, except back panel & transaction counter.</p> <p>This meets requirement of only two laminate finishes being used.</p>	<p>NPRBELS24727230-V2-B-WN-BK-BK</p> <p>WN = Walnut, BK - Black</p>
 <p>Showing Version V3</p> <p>All laminate panels are the same finish, except modesty panel & transaction counter.</p> <p>This meets requirement of only two laminate finishes being used.</p>	<p>NPRBELS24727230-V3-B-WN-BK-BK</p> <p>WN = Walnut, BK - Black</p>

Laminate Finish Color Codes

Finish	Code
Bergen Ash	BA
Black	BK
Driftwood.....	DW
Galaxy White	GW
Gray Matrix.....	GM
Hardrock Maple	HM
Koosah Pine.....	KP
Looks Likatre	LT
Mahogany	MY
Marker Board (\$ upcharge).....	MB
Pelee Island Pear	PP
Rogue Valley Pear	VP
Stromboli	ST
Walnut.....	WN
Concrete Groovz.....	CG

Metal Finish Color Codes

Finish	Code
Black.....	B
Silver	S

[View Finishes Brochure here](#)