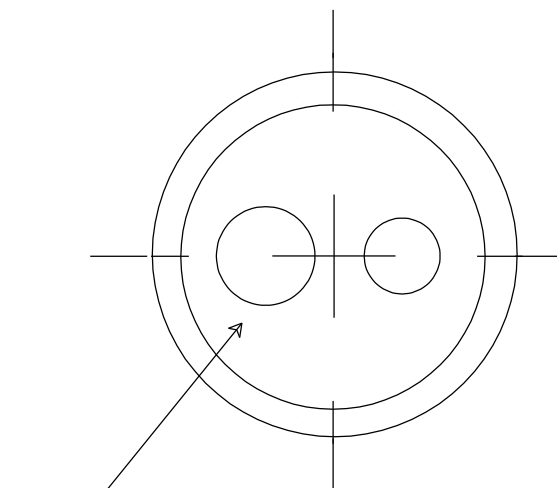
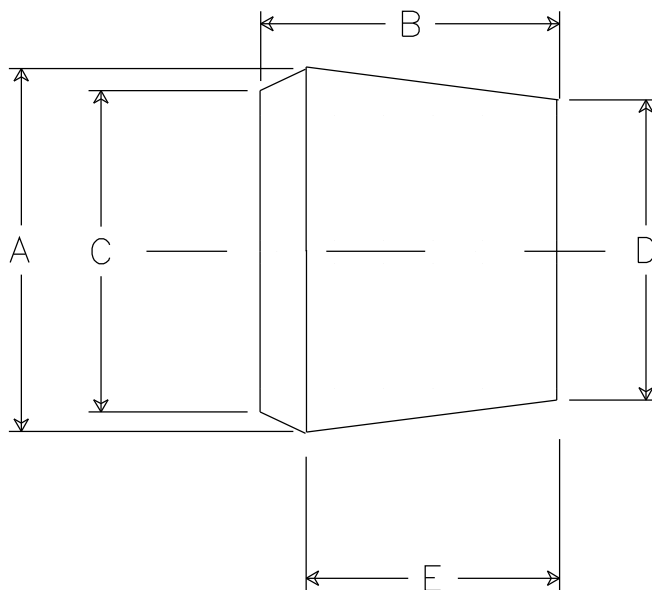


DIMENSIONS

A 1.843
B 1.125
C 1.625
D 1.500
E 1.000



2 HOLES, ONE @ .500 ONE @ .375 DIA.
PLACED EVENLY ON A .700 DIA CIRCLE
HOLE SIZE +/- .010

NOTES:

- 1.0 ANGULAR TOLERANCE +/- 1/2 DEGREE
- 2.) FLASH TO BE HELD TO A MINIMUM
AND MAY NOT WEBB ACROSS HOLE DIA.
- 3.) 1D/OD CONCENTRICITY WITHIN .20
- 4.) ALL OTHER DIM +/- .015

REV. A 5-30-00 ADD NOTE ON TOLERANCE

REMKE INDUSTRIES

Wheeling, Illinois 60090

SCALE: APPROX FULL
MATERIAL: NEOPRENE 50-60 DUROMETER
FINISH: NATURAL BLACK
PART NAME: BUSHING
PART NUMBER: SRB-500-2
DRAWING DATE: 980114