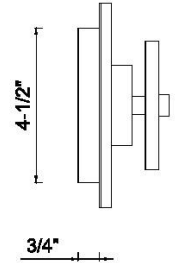
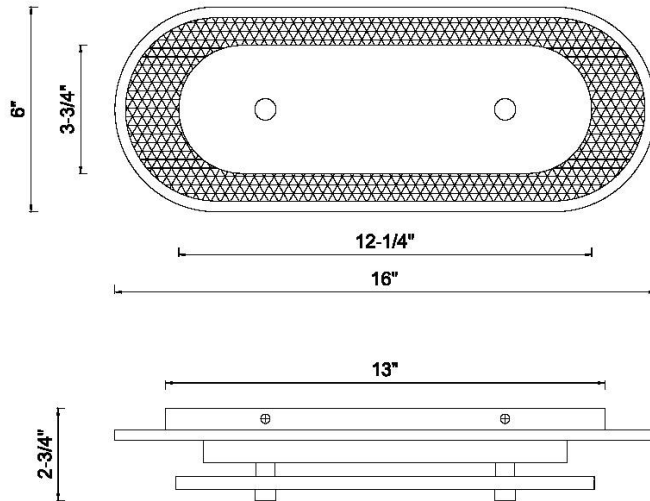


JOB NAME:

DATE:

TYPE:

COMMENTS:



LIGHT INFORMATION

| | |
|--------------------|----------------|
| Light Type | Integrated LED |
| CRI | 90 |
| Delivered Lumens | 776 |
| Color Temperature | 3000K |
| LED Lifespan (L70) | 52000 |
| Light Direction | Ambient |
| Dimming Method | Triac/Elv |
| Current Type | AC |
| Input Voltage | 120 |
| Total Wattage | 12 |

DIMENSIONS & WEIGHT

| | |
|--------------|------|
| Width (In) | 16 |
| Height (In) | 6 |
| Ext (In) | 2.75 |
| Weight (Lbs) | 5.29 |

INSTALLATION

| | |
|----------------------|-------|
| Mounting Type | J-Box |
| Rating | Damp |
| Hanging Support Type | J-Box |

PRODUCT FINISH

Gold

SHADE FINISH

Silver Glass

CERTIFICATIONS & COMPLIANCE

