

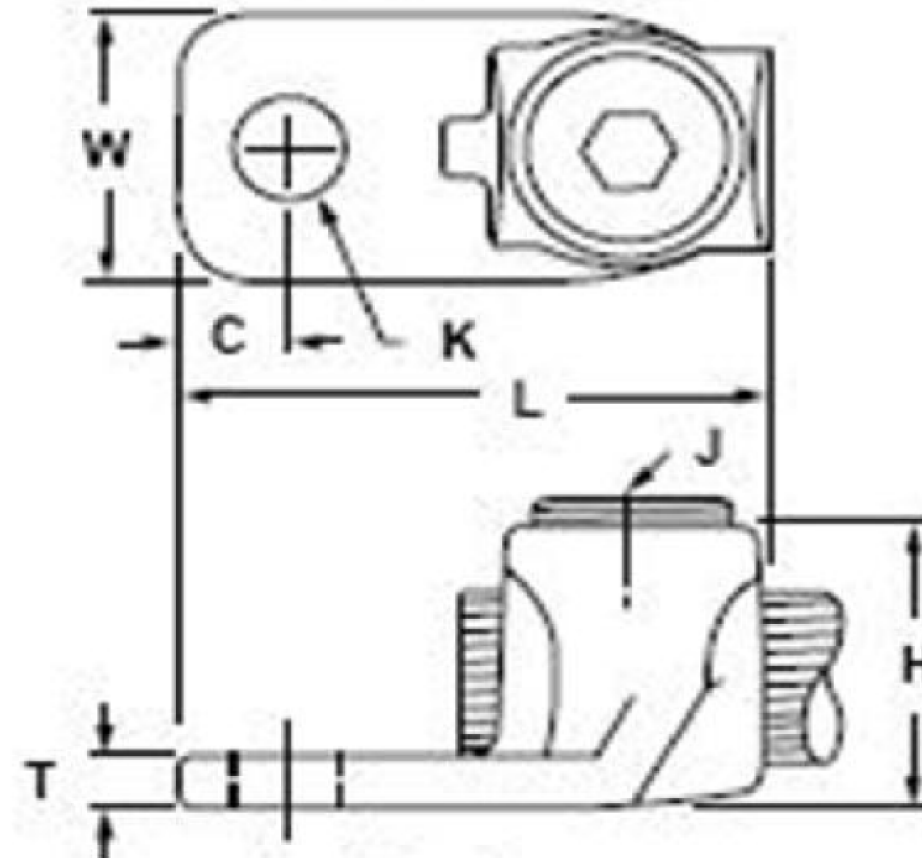
FEATURES:

1. Made from high conductivity copper alloy.
2. Range taking.
3. Re-usable.
4. For use with Copper wire only
5. Voltage Range: 600V
6. UL Listed E155274

Copper Terminal Lugs

POLARIS®

PROGRAM:	SOLIDWORKS
UPDATED:	09/2024
SALES REV:	A
SIZE:	B (11x17)



PART NUMBER	WIRE RANGE MAX	WIRE RANGE MIN	L	W	H	T	C	K	J (HEX WRENCH SIZE)
TL8	8 STR	14 SOL	0.830	0.382	0.420	0.074	0.200	0.205	0.188
TL4	4 SR	14 SOL	1.125	0.537	0.553	0.096	0.248	0.278	0.188
TL1/0	1/0 STR	4 SOL	1.584	0.723	0.792	0.090	0.370	0.315	1/4
TL250	250 MCM	1/0 STR	1.950	0.927	1.049	0.119	0.416	0.380	1/4
TL500	500 MCM	4/0 STR	2.986	1.375	1.456	0.303	0.750	0.525	3/8
TL1000	1000 MCM	500 MCM	3.992	1.985	1.945	0.356	0.742	0.557	3/8

