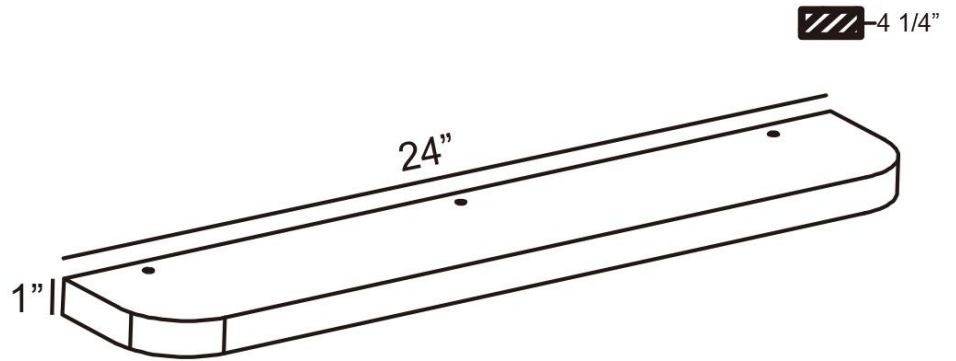


JOB NAME:

DATE:

TYPE:

COMMENTS:



LIGHT INFORMATION

DIMENSIONS & WEIGHT

PRODUCT FINISH

| | |
|--------------|------|
| Width (In) | 24 |
| Height (In) | 1 |
| Ext (In) | 4.5 |
| Weight (Lbs) | 1.59 |

Apricot Brandy

CERTIFICATIONS & COMPLIANCE

INSTALLATION