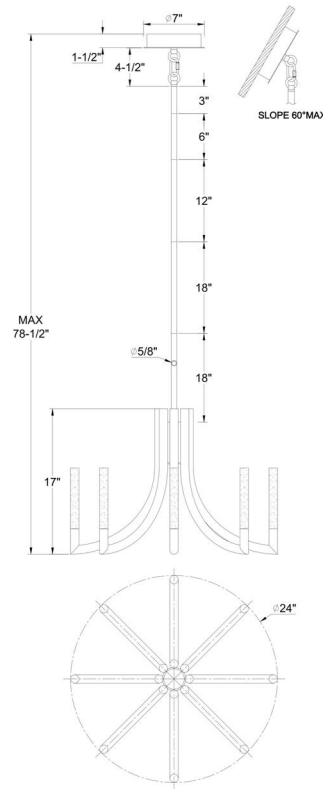


JOB NAME:

DATE:

TYPE:

COMMENTS:



## LIGHT INFORMATION

Light Type	Integrated LED
CRI	90
Delivered Lumens	1489
Color Temperature	3500K
LED Lifespan (L70)	52000
Number of Lights	8
Light Direction	Ambient
Dimming Method	Triac/Elv
Current Type	DC
Input Voltage	120-277
Total Wattage	32

## DIMENSIONS & WEIGHT

Height (In)	17
Min Height (In)	21.5
Max Height (In)	75.5
Diameter (In)	24
Weight (Lbs)	17.19

## INSTALLATION

Mounting Type	J-Box
Rating	Dry
Hanging Support Type	Rod

## PRODUCT FINISH

Brushed Nickel

## SHADE FINISH

Frosted Acrylic

## PRODUCT FEATURES

Downlight (165 Delivered Lumens)

## CERTIFICATIONS & COMPLIANCE

