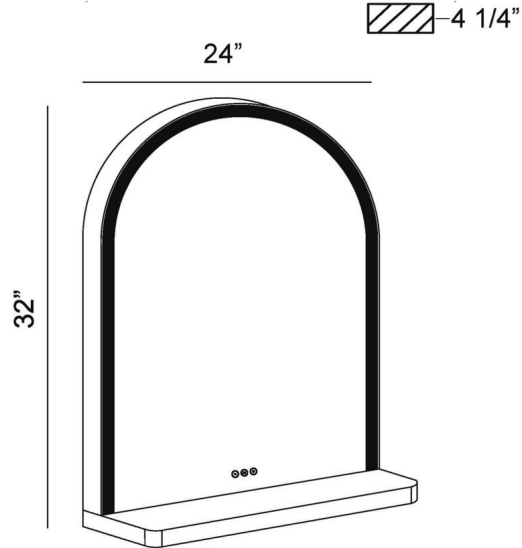


JOB NAME:

DATE:

TYPE:

COMMENTS:



**LIGHT INFORMATION**

Light Type	Integrated LED
CRI	90
Delivered Lumens	800
Color Temperature	3000K-6500K
LED Lifespan (L70)	20000
Light Direction	Ambient
Dimming Method	Touch Switch
Current Type	DC
Input Voltage	120
Total Wattage	27

**DIMENSIONS & WEIGHT**

Width (In)	24
Height (In)	32
Ext (In)	4.5
Weight (Lbs)	18.16

**INSTALLATION**

Mounting Type	J-Box
Rating	Damp
Hanging Support Type	Z-Bar

**PRODUCT FINISH**

Satin Nickel-Black Mix

**CERTIFICATIONS & COMPLIANCE**

