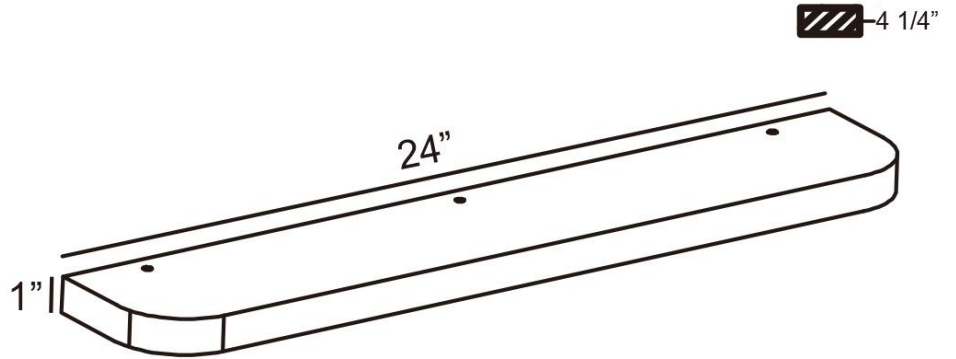


JOB NAME:

DATE:

TYPE:

COMMENTS:



**LIGHT INFORMATION**

**DIMENSIONS & WEIGHT**

**PRODUCT FINISH**

Width (In) 24

Kombu Green

Height (In) 1

Ext (In) 4.5

Weight (Lbs) 1.59

**CERTIFICATIONS & COMPLIANCE**

**INSTALLATION**