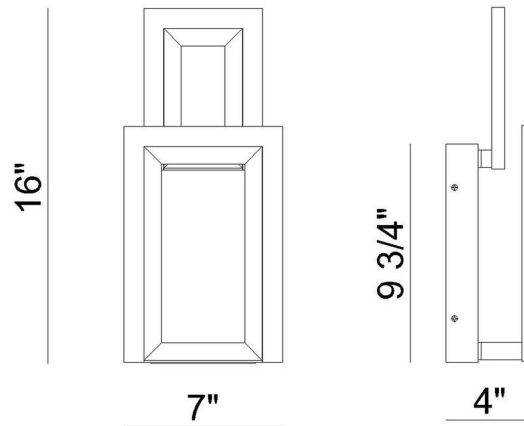


JOB NAME:

DATE:

TYPE:

COMMENTS:



LIGHT INFORMATION

| | |
|--------------------|----------------|
| Light Type | Integrated LED |
| CRI | 90 |
| Delivered Lumens | 802 |
| Color Temperature | 3000K |
| LED Lifespan (L70) | 20000 |
| Light Direction | Ambient |
| Dimming Method | Triac/Elv |
| Current Type | DC |
| Input Voltage | 120 |
| Total Wattage | 20 |

DIMENSIONS & WEIGHT

| | |
|--------------|------|
| Length (In) | 7 |
| Width (In) | 4 |
| Height (In) | 16 |
| Ext (In) | 4 |
| Weight (Lbs) | 3.99 |

INSTALLATION

| | |
|----------------------|-------|
| Mounting Type | J-Box |
| Rating | Dry |
| Hanging Support Type | J-Box |

PRODUCT FINISH

Matte Gold

CERTIFICATIONS & COMPLIANCE

