

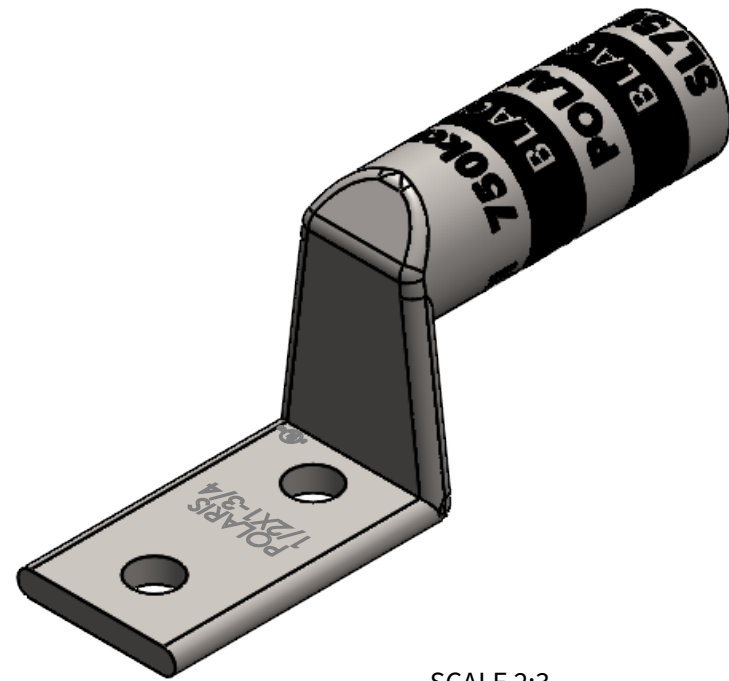
**FEATURES:**

1. Material: Tin Plated CU
2. UL listed for U.S. & Canada.
3. Wire connector rated for 35Kv max.
4. Class B/C compressed, concentric, and compact copper conductor only.
5. Expanded wire range when installed with dieless NSi compression tool (N12ID).
6. Dimensions are for reference only.

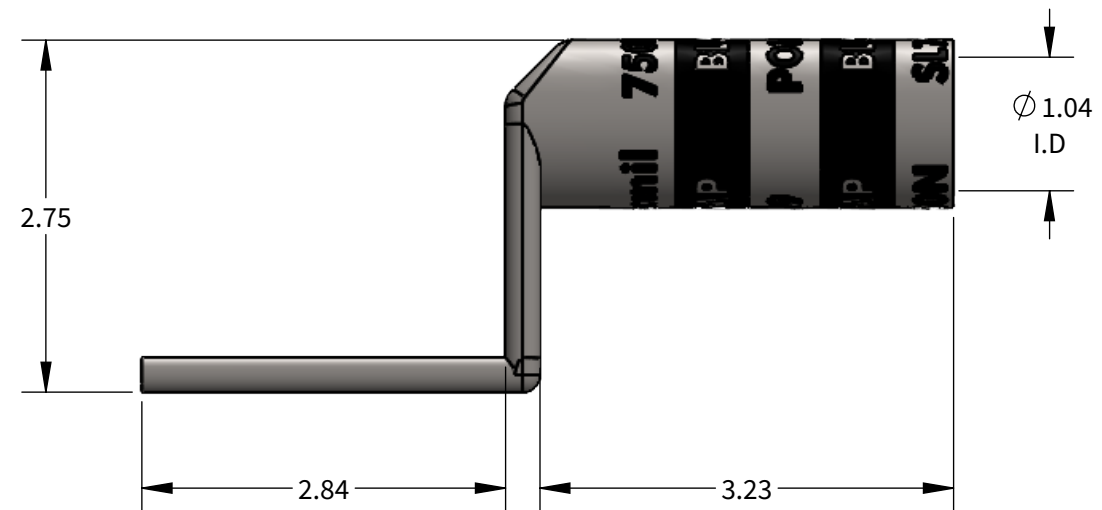
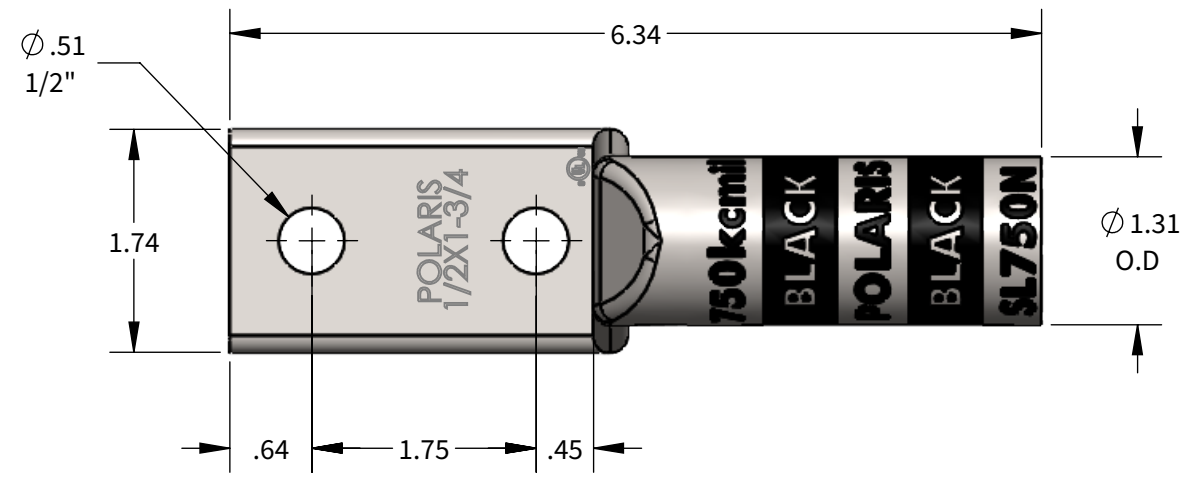
# LN Series: SL750N



<b>PROGRAM:</b>	SOLIDWORKS
<b>UPDATED:</b>	4/2022
<b>SALES REV:</b>	A
<b>SIZE:</b>	B (11x17)



SCALE 2:3



COPPER COMPRESSION CONNECTOR TOOL AND DIE CHART (# OF CRIMPS)

WIRE SIZE	STRIP LENGTH	DIE COLOR	EXPANDED WIRE RANGE W/N12ID	NSI			GREENLEE	ILSCO	BURNDY	T&B	HUSKIE		
				N1240 SERIES	NSI-12	NSI-12	1240 SERIES	ILC-12/ILC-15 SERIES	Y-35, Y750, PAT 750	TBM-15, TBM-14M	EP510C		
750kcmil	2-13/16"	BLACK	750kcmil-500kcmil	KC12-750 (2)	CD21 (4)	HT41BP (4)	KC12-750 (2)	ILD-17 (4)	KC12-750 (2)	U39RT (4)	15515-CK (4)	HT41BP (4)	CD21 (4)

