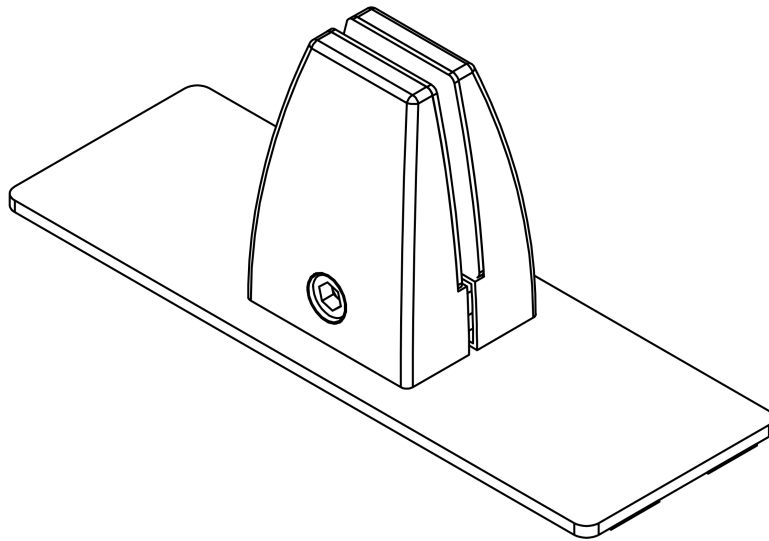




**R-Style Sneeze Guards - Acrylic Shields
Cubicle Panel Adhesive Mount Instructions**

Warranty: raproducts.com/warranty



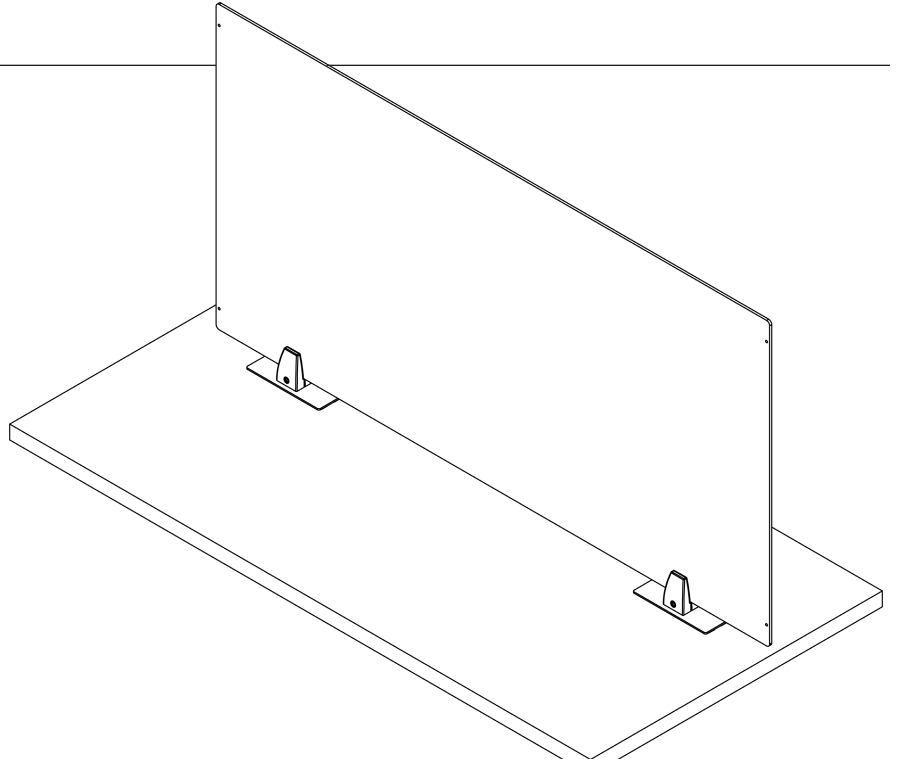
Cubicle Panel Assemble: This method will work with a panel (or divider wall) that is at least 2" wide.

A. 3/16" Allen Wrench



Step 1

- Peel the protective cover off the adhesive strips on the bottom of the stand mounts. Lay the stand mounts evenly along the worksurface or cubicle panel wall and press down firmly to install. Slide the panel into the stand mounts.



Step 2

- Slide the panel into the top of the cubicle mounts. Tighten the set screws.

