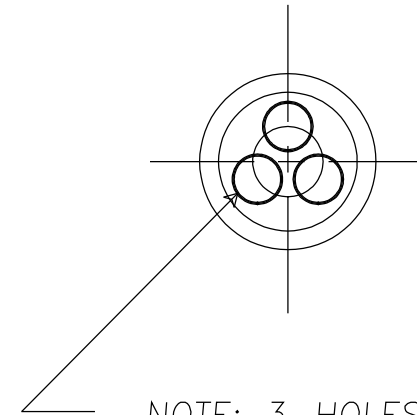
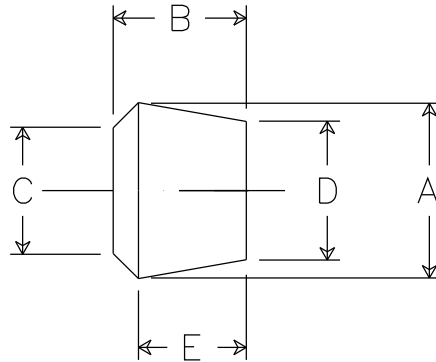


DIMENSIONS

A	.8750
B	.6563
C	.6250
D	.6875
E	.5313



NOTE: 3-HOLES EVENLY
SPACED ON A .345 DIA CIRCLE
HOLE SIZE .250 +/- .010

NOTES:

- 1.0 ANGULAR TOLERANCE +/- 1/2 DEGREE
- 2.) FLASH TO BE HELD TO A MINIMUM
AND MAY NOT WEB ACROSS HOLE DIA.
- 3.) 1D/OD CONCENTRICITY WITHIN .020
- 4.) ALL OTHER DIM +/- .015

REMKE INDUSTRIES
Wheeling, Illinois 60090

SCALE: APPROX FULL
 MATERIAL: NEOPRENE 50-60 DUROMETER
 FINISH: NATURAL BLACK
 PART NAME: BUSHING
 PART NUMBER: SRB-104-3
 DRAWING DATE: 11/09/00 RT

REV. A 11/09/00 DRAWING RELEASED