

ASSEMBLY VIEW

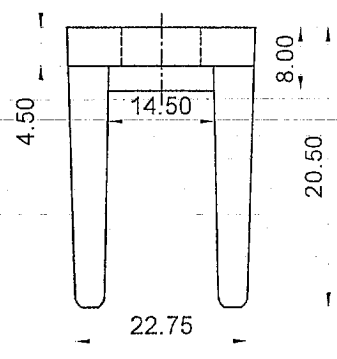
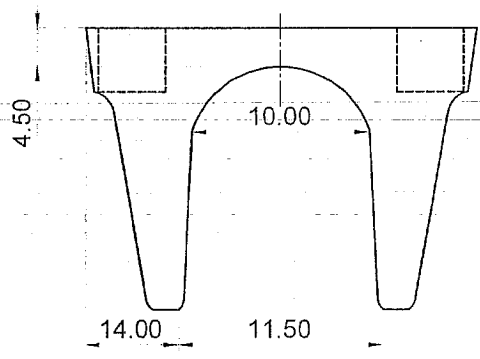
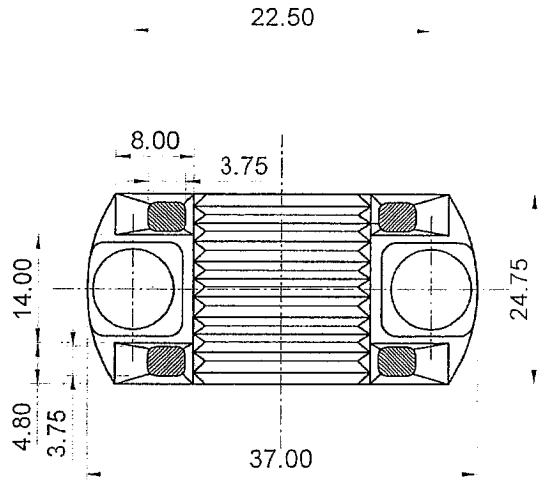
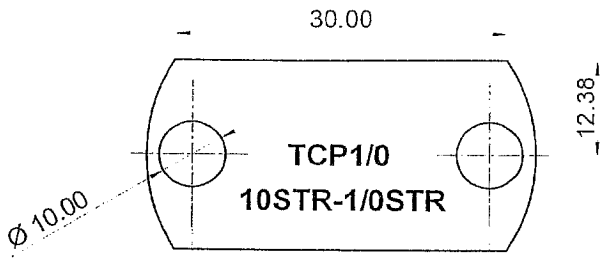


NSi Industries, LLC

TITEL- *Assembly View Of Cast Connector* TCP. 1/0

SCALE- N.T.S. FINISH- _____

	NAME	DATE
DRAWN	SD	09/05/2006
CHECKED	KM	09/05/2006
APPROVED	KM	09/05/2006
MATERIAL	-	
TOLERANCE	-	
Drawing No.	-	2736/a



NSi Industries, LLC

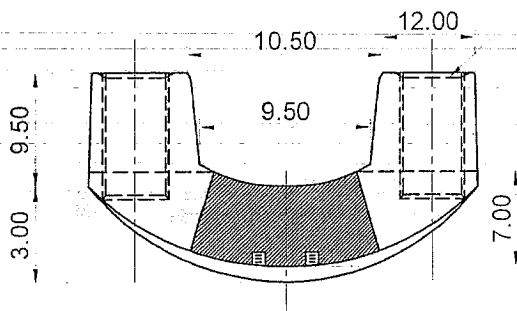
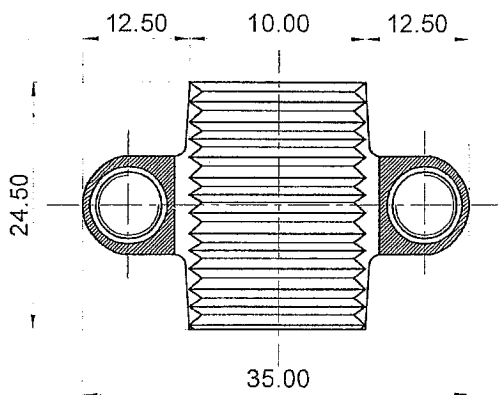
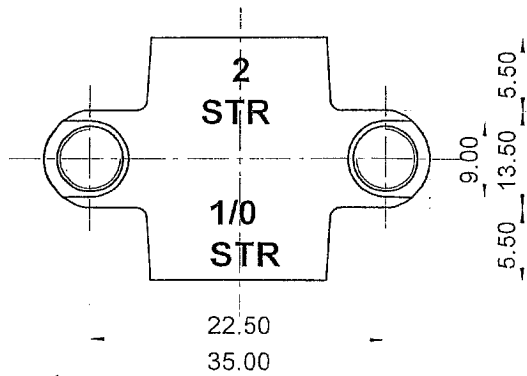
	NAME	DATE
DRAWN	SD	09/05/2006
CHECKED	KM	09/05/2006
APPROVED	KM	09/05/2006
MATERIAL	- C-956	
TOLERANCE	-	±0.50

TITEL - *Body TCP.1/0*

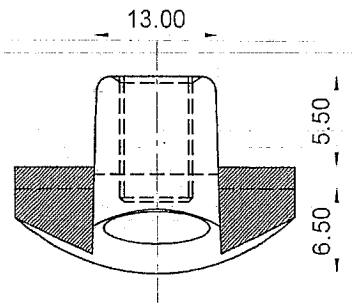
SCALE - *N.T.S.* FINISH - *Tin Plated*

All dimensions are in mm

Drawing No. - **2736/b**



5/16"X18 U.N.C.



NSi Industries, LLC

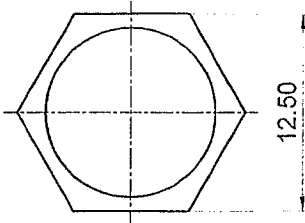
	NAME	DATE
DRAWN	SD	09/05/2006
CHECKED	KM	09/05/2006
APPROVED	KM	09/05/2006
MATERIAL	- C-956	
TOLERANCE	- ±0.50	
Drawing No.	- 2736/c	

TITEL - Base TCP 1/0

SCALE- N.T.S. FINISH - Tin Plated

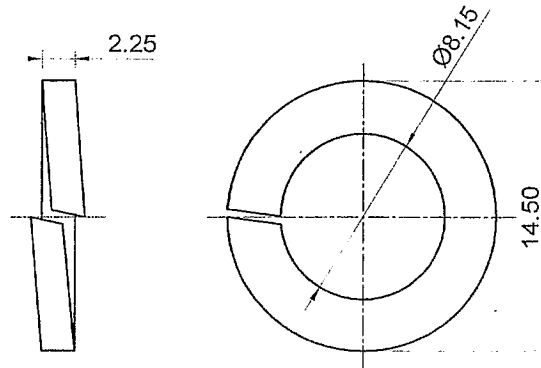
All dimensions are in mm

"A"



12.50

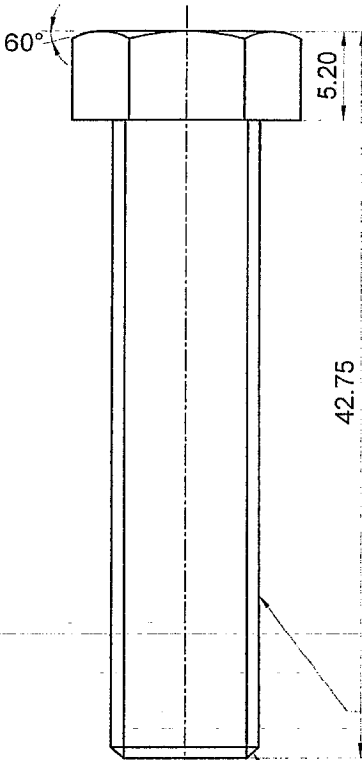
"B"



2.25

Ø8.15

14.50



60°

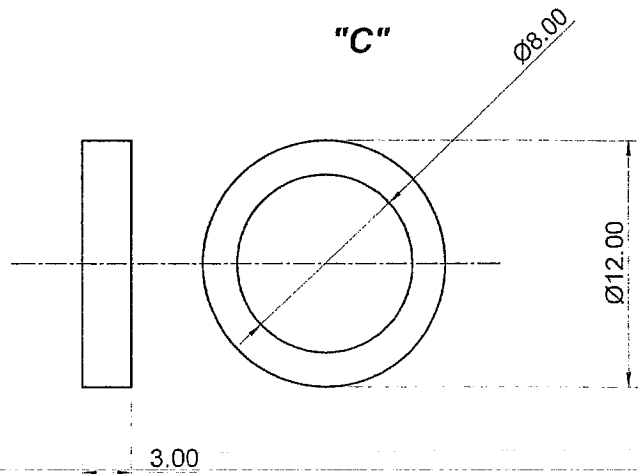
5.20

42.75

5/16"X18U.N.C.

CH. 1.50X45°

"C"



Ø12.00

Ø8.00

3.00

CHART

ITEM	MATERIAL
A	S.S.-304
B	S.S.-304
C	NEOPRENE



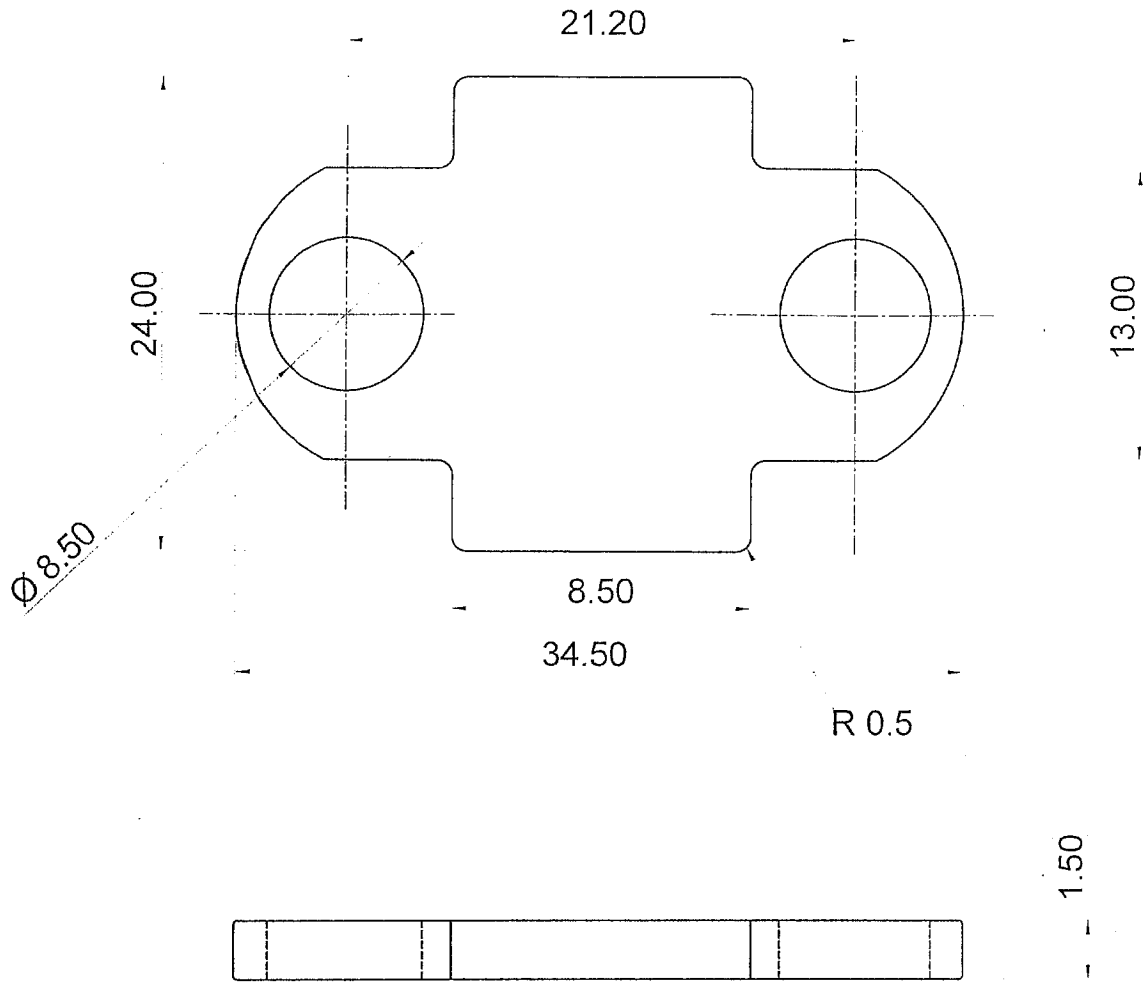
NSi Industries, LLC

TITEL - Accessories TCP. 1/0

SCALE- N.T.S. FINISH- NATURAL

All dimensions are in mm

	NAME	DATE
DRAWN	SD	09/05/2006
CHECKED	KM	09/05/2006
APPROVED	KM	09/05/2006
MATERIAL	- As Per Chart	
TOLERANCE	- ±0.25	
Drawing No.	- 2736/d	



NSi Industries, LLC

TITEL - *Spacer TCP.1/0*

SCALE - *N.T.S.* FINISH - *Tin Plated*

All dimensions are in mm

	NAME	DATE
DRAWN	SD	09/05/2006
CHECKED	KM	09/05/2006
APPROVED	KM	09/05/2006
MATERIAL	- COPPER	
TOLERANCE	-	±0.25
Drawing No.	-	2736/e