

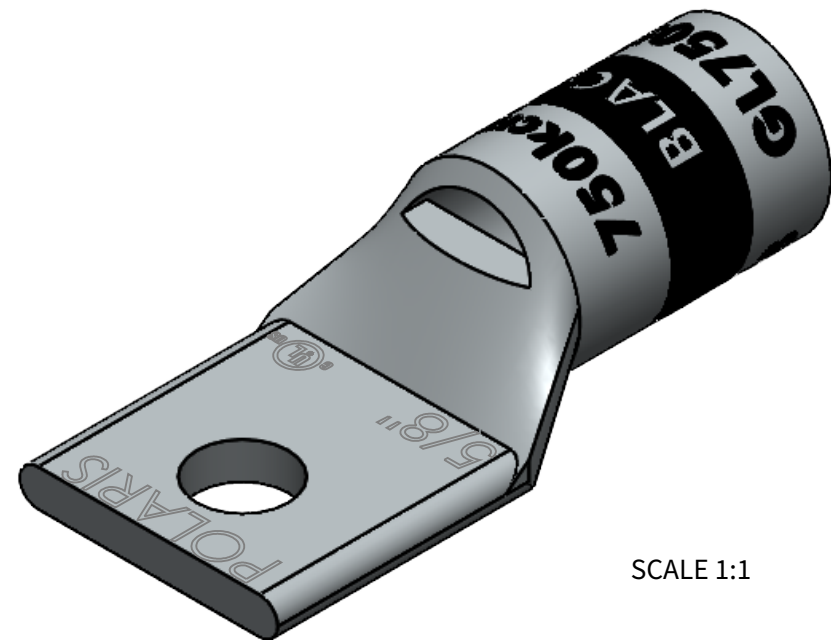
FEATURES:

1. Material: Tin Plated CU
2. UL listed for U.S. & Canada.
3. Wire connector rated for 35Kv max.
4. Class B/C compressed, concentric, and compact copper conductor only.
5. Expanded wire range when installed with dieless NSi compression tool (N121D).
6. Dimensions are for reference only, tolerance is +/- .06".

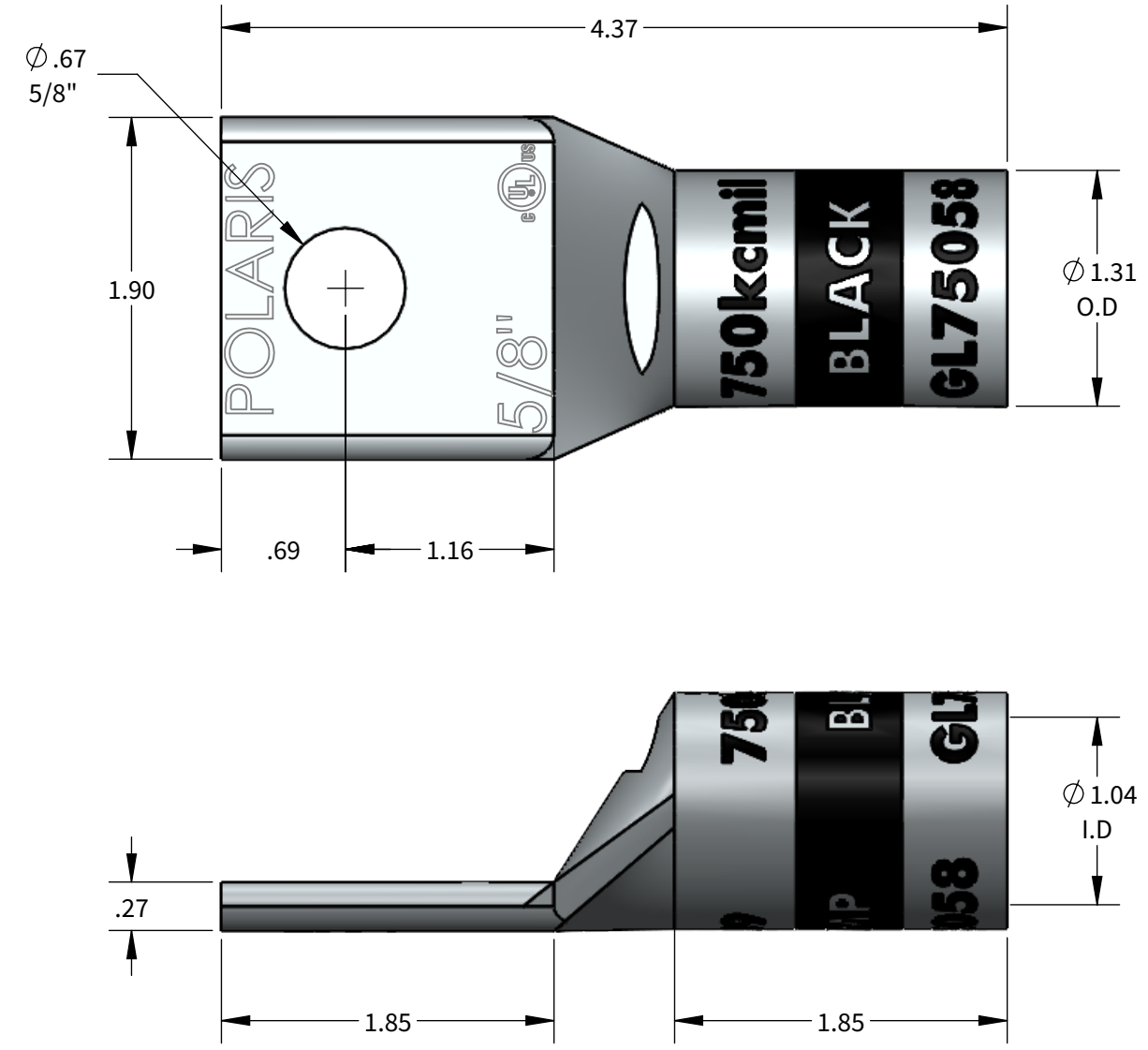
GL Series: GL75058



PROGRAM:	SOLIDWORKS
UPDATED:	4/2022
SALES REV:	A
SIZE:	B (11x17)



SCALE 1:1



COPPER COMPRESSION CONNECTOR TOOL AND DIE CHART (# OF CRIMPS)

		NSI		GREENLEE		ILSCO	BURNDY	T&B	HUSKIE		
WIRE SIZE	STRIP LENGTH	DIE COLOR	EXPANDED WIRE RANGE W/N121D	N1240 SERIES	NSI-12	NSI-12	1240 SERIES	ILC-12/ILC-15 SERIES	Y-35, Y750, PAT 750	TBM-15, TBM-14M	EP510C
750kcmil	2"	BLACK	750kcmil-500kcmil	KC12-750 (1)	CD21 (2)	HT41BP (2)	KC12-750 (1) ILD-17 (2)	KC12-750 (1)	U39RT (2)	15515-CK (2)	HT41BP (2) CD21 (2)

