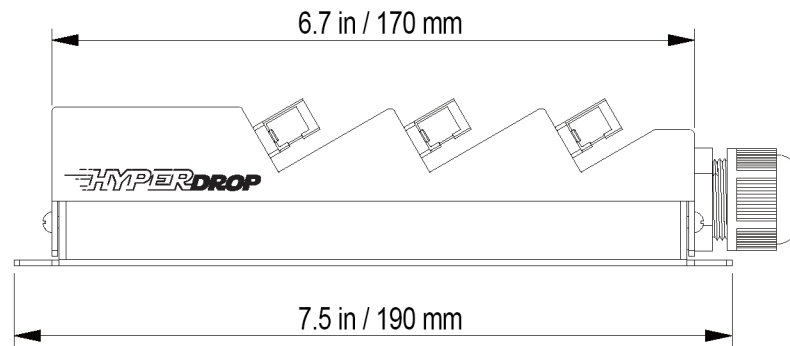
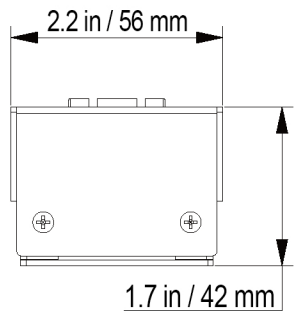
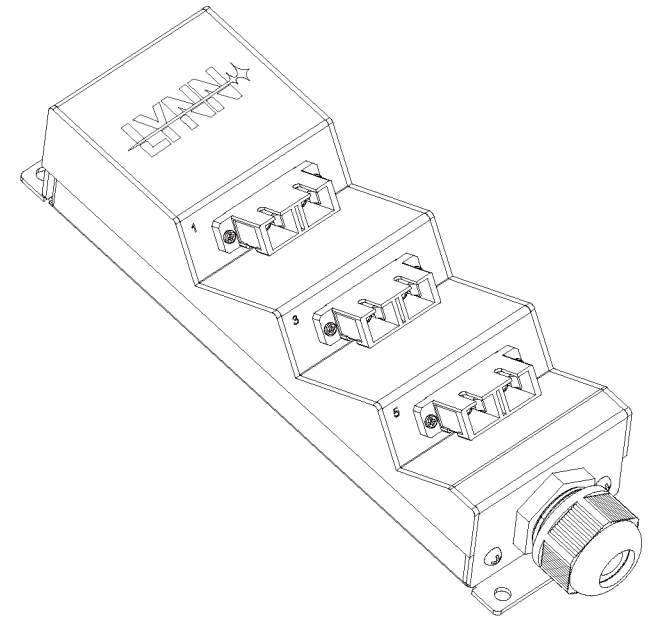
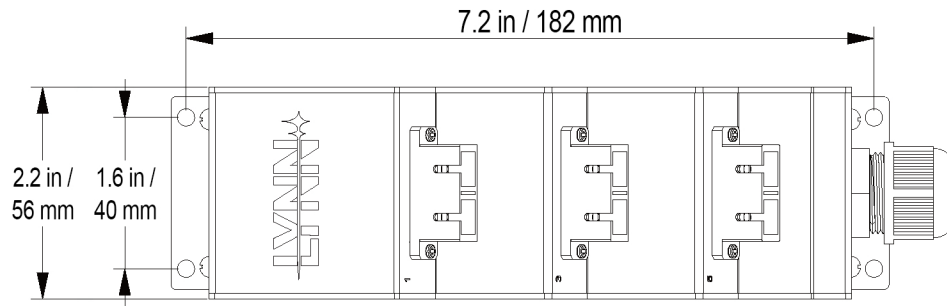


2	1			
REV.	ECN	DESCRIPTION	SIGN	DATE
A0				



Material:  
SPCC with BLACK color painting

DRAW	A/R	PRODUCTS NO.	HD-Dxxxxx-xMI-xxxxxx
UNIT	in/mm	PRODUCTS NAME	
REV.	A0	PART NO.	
DATE	MAT'L SPCC		
FIG: NO.			